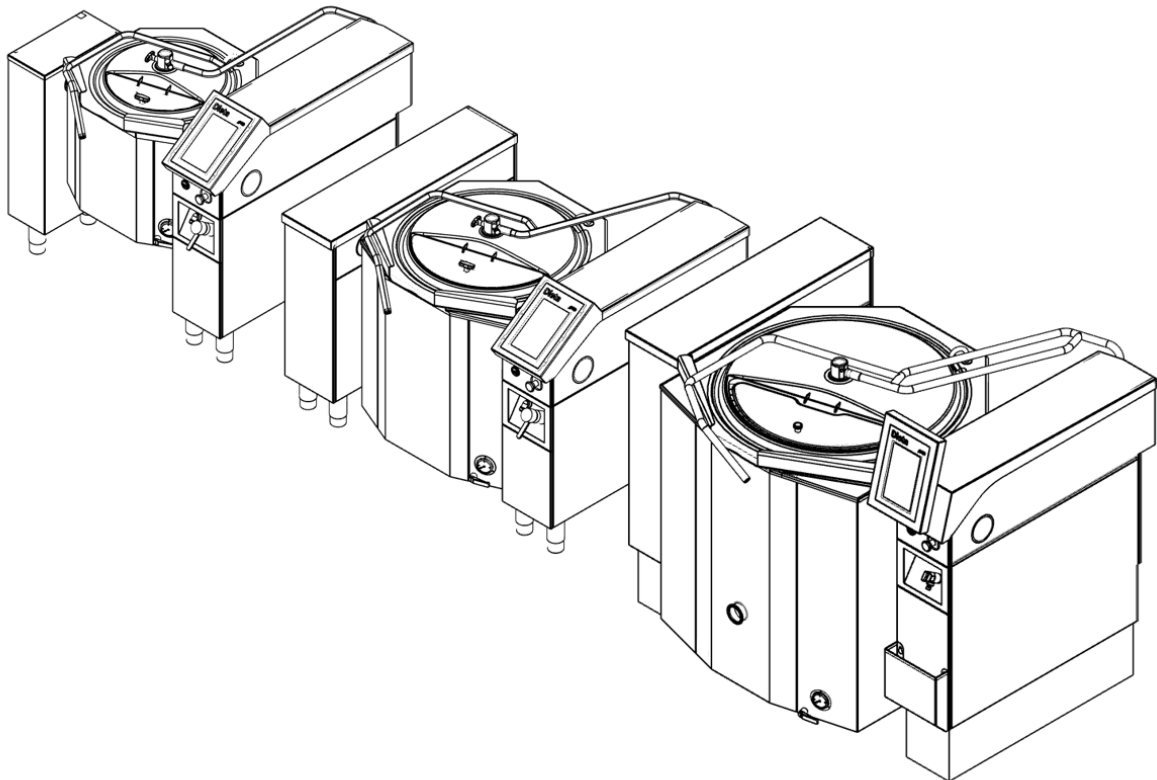


DIETA GENIER ACE & GO!

PARTS MANUAL



Units	Size [L]	Installation type	Heating type	Chilling type	Options
Genier ACE Genier GO!	40 60 80 100 150 200 300 400 475	FS [Free standing] FL [Bolted to the floor]	Electric	CH3 CH4 CH5	Chilling Scales Soft water Hot water Nordic water version Food water [GO!] Food temperature [GO!] Foot pedal Wash hose/shower Alarm Emptying valves



Read service manual before repairing the appliance

Content

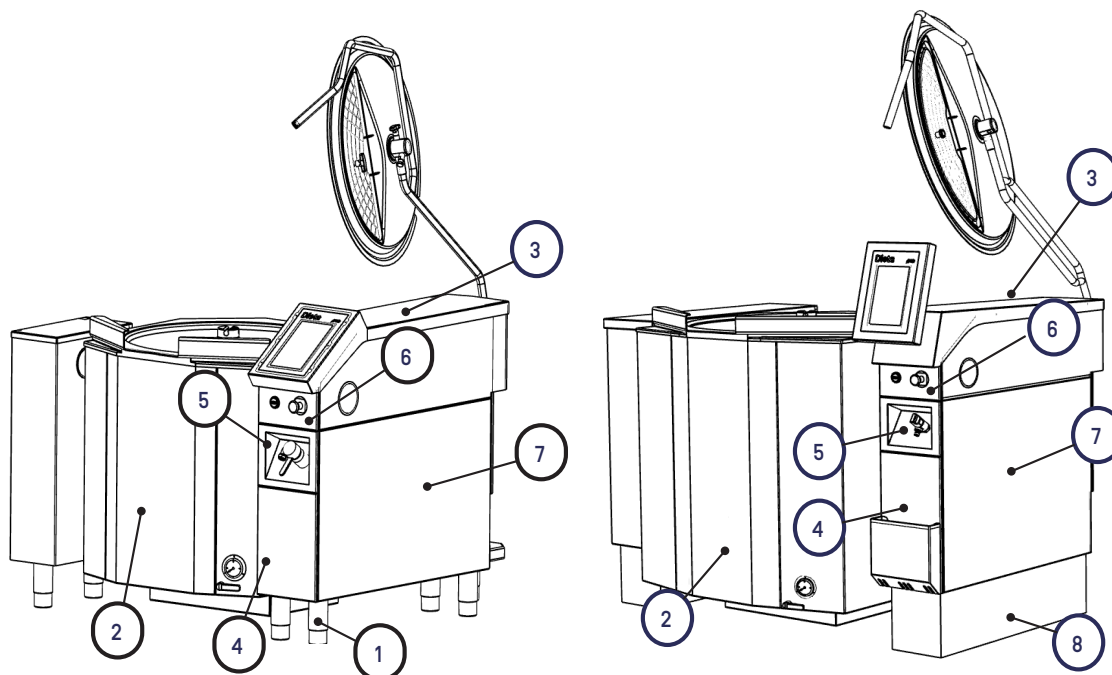
1.	Kettle panels	6
1.1	FRONT VIEW	7
1.2	REAR VIEW	9
2.	Main Leg	11
2.1	Main- & emergency switch.....	12
2.2	Tilting parts for 40-300L	14
2.3	Tilting parts for 400-475L.....	15
2.4	Lid hinge parts	16
2.5	Water components, main leg	17
2.6	<u>Soft water</u> components, main leg	19
2.7	<u>Hot water</u> components, main leg.....	20
2.8	<u>Nordic version</u> inlet water line, main leg	21
2.9	Electrical parts - Speed controller.....	22
2.10	Electrical parts - Housing	23
2.11	Electrical parts - Modules.....	25
2.12	Electrical parts - Cables	26
3.	Auxiliary Leg [CH4/CH5].....	27
3.1	CH4 Parts.....	28
3.2	CH5 Parts.....	29
4.	Weighing / scale	31
4.1	Scale system	32
5.	Kettle part	33
5.1	Kettle front.....	34
5.2	Kettle Rear [40-100L]	36
5.3	Kettle Rear [150-200L]	38
5.4	Kettle Rear [300 - 475L]	40
5.5	Food Water Nozzle before 2024	42
5.6	Food Water Nozzle 2024 ->	43
5.7	Mixer parts.....	44
6.	Lid Parts	46
6.1	Lid up to 2022	47
6.2	Lid bar up to 2022.....	48
6.3	Lid from 2022->.....	49
6.4	Lid bar from 2022 ->	50

7. Accessories	51
7.1 Mixer tool - Scrapers & Bushings	52
7.2 Mixer tool.....	53
7.3 Spray gun + hose.....	54
7.4 Measuring sticks & strainer plates.....	55
7.5 Mixing tools [Accessories].....	56
7.6 360°Sense [Wireless temperature probe]	59
7.7 External Water filter	60
7.8 Emptying valves [Food tap].....	61
7.9 Screen protector	63
7.10 Front panel socket 230V	63

 [®] **Dieta**

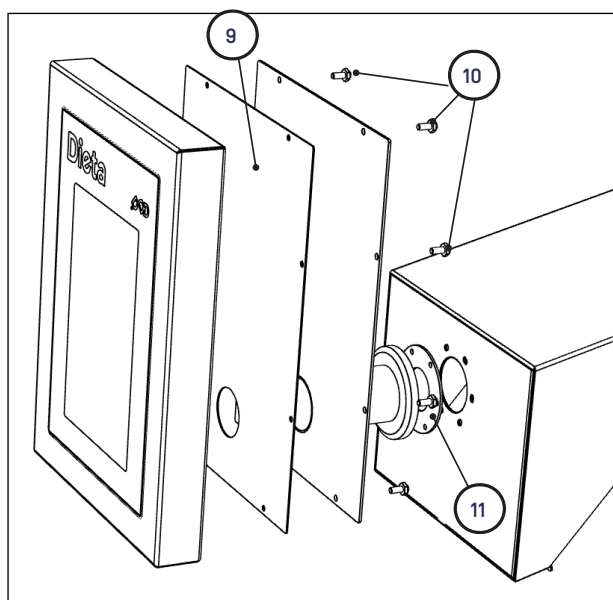
1. Kettle panels

1.1 FRONT VIEW

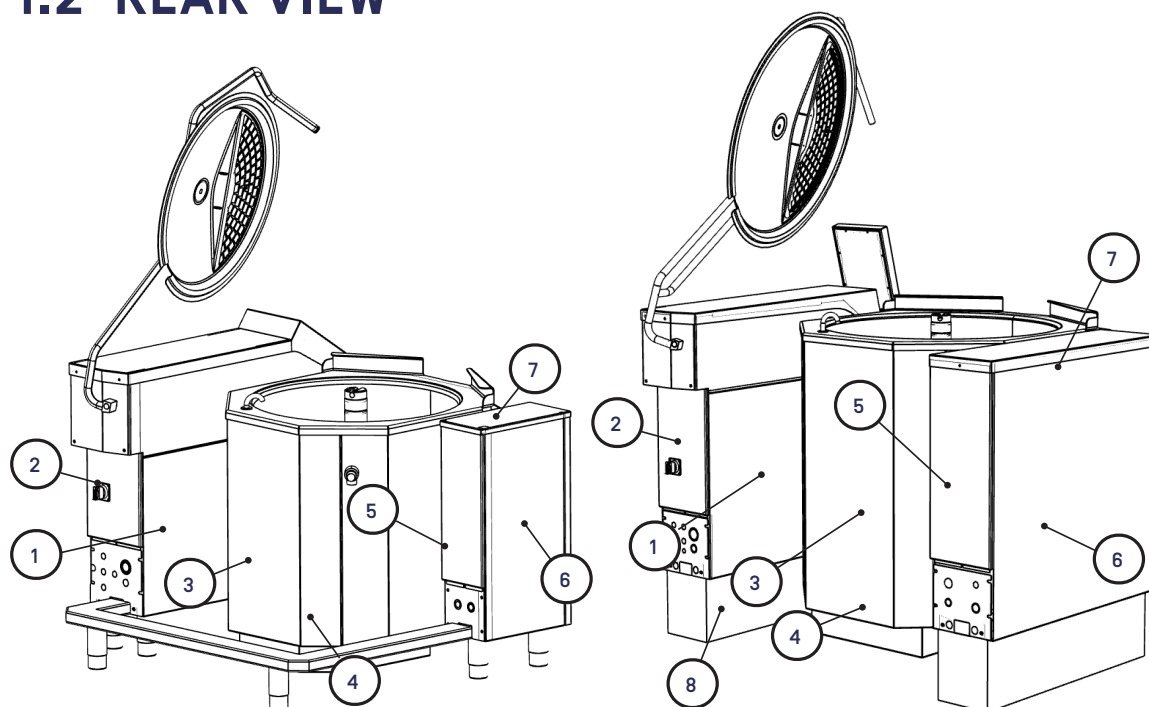


POS.	Prt.Nr	DESCRIPTION	40	60	80	100	150	200	300	400	475
1	5180	Adjustable leg 150 mm	9	9	9	9	9	9	9		
2	-14873	Kettle Front panel 40	1								
2	-14767	Kettle Front panel 60		1							
2	-14874	Kettle Front panel 80			1						
2	-14875	Kettle Front panel 100				1					
2	-14728	Kettle Front panel 150					1				
2	-14729	Kettle Front panel 200						1			
2	-14381	Kettle Front panel 300							1		
2	-15242	Kettle front panel 400								1	
2	-15247	Kettle front panel 475									1
3	54863	Controller cover	1	1	1	1	1	1	1	1	1
3	55558	Control cover raised model								1	1
4	55235	Main leg front cover	1	1	1	1	1	1	1		
4	55236	Main leg front cover for wash hose basket (Option)	1	1	1	1	1	1	1		
4	55243	Main leg front cover FL1200								1	1

POS.	Prt.Nr	DESCRIPTION	40	60	80	100	150	200	300	400	475
4	55244	Main leg front cover for wash hose basket (Option) FL1200								1	1
5	55122	Main leg front panel middle	1	1	1	1	1	1	1	1	1
5	55164	Main leg Front middle panel with wash hose(option)	1	1	1	1	1	1	1	1	1
5	54862	Main leg front middle With wash hose cold/warm faucet (Option)	1	1	1	1	1	1	1	1	1
6	54861	Main leg emergency stop/USB panel	1	1	1	1	1	1	1	1	1
6	55263	Main leg emergency stop panel for GO! version	1	1	1	1	1	1	1	1	1
7	-15387	Main leg side cover (Outside)	1	1	1	1	1	1	1		
7	-15586	Main leg side cover (Outside)								1	1
8	-15612	Pedestal outer cover for FL1200								2	2
9	55611	Gasket for raised control cover	1	1	1	1	1	1	1	1	1
10	55612	Fastening screws	8	8	8	8	8	8	8	8	8
11	#na	Gasket	1	1	1	1	1	1	1	1	1



1.2 REAR VIEW

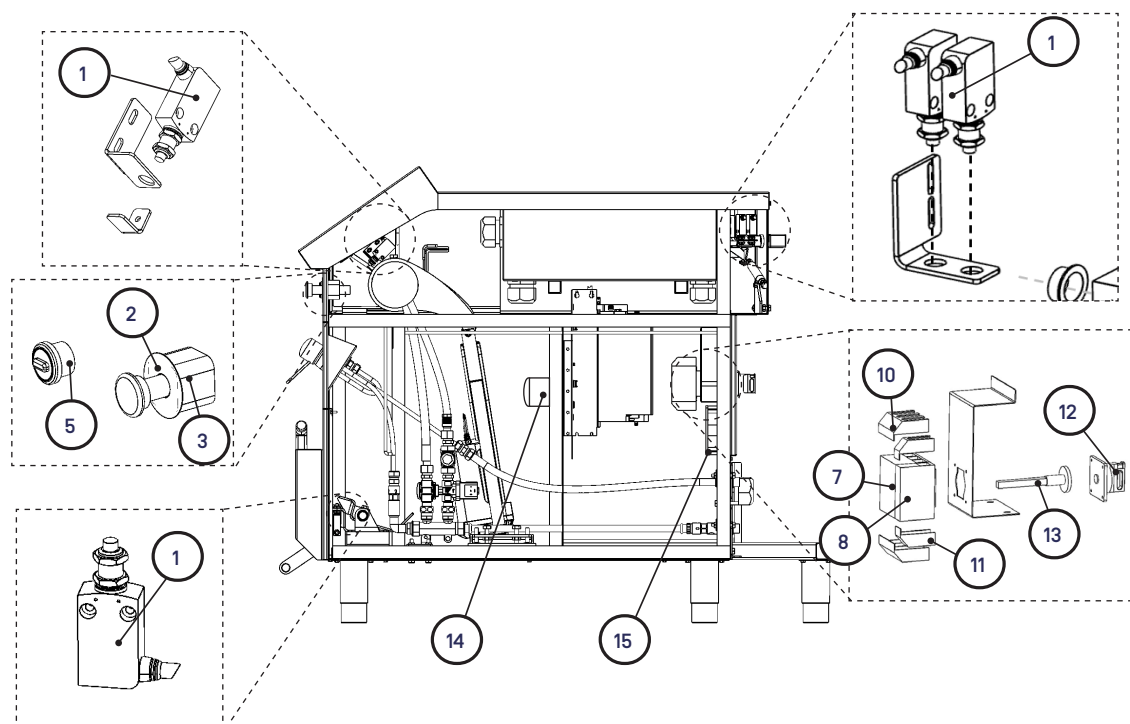


POS.	Prt.Nr	DESCRIPTION	40	60	80	100	150	200	300	400	475
1	-15388	Main leg side cover (Inside)	1	1	1	1	1	1	1		
1	-15587	Main leg side cover (Inside) FL1200								1	1
2	-15389	Main leg back cover (Switch panel)	1	1	1	1	1	1	1		
2	-15588	Main leg back cover (Switch panel) FL1200								1	1
3	-14876	Kettle back panel 40	1								
3	-14768	Kettle back panel 60		1							
3	-14877	Kettle back panel 80			1						
3	-14878	Kettle back panel 100				1					
3	-14730	Kettle back panel 150					1				
3	-14731	Kettle back panel 200						1			
3	-14382	Kettle back panel 300							1		
3	-15423	Kettle back panel 400								1	
3	-15248	Kettle back panel 475									1
4	-14771	Mixer motor cover	1	1	1	1					

POS.	Prt.Nr	DESCRIPTION	40	60	80	100	150	200	300	400	475
4	-14723	Mixer motor cover					1	1			
4	-14386	Mixer motor cover							1	1	1
5	-14377	Auxiliary leg back cover	1	1	1	1	1	1	1		
5	-15659	Auxiliary leg back cover (FL1200)								1	1
6	-14376	Auxiliary leg side cover	1	1	1	1	1	1	1		
6	-15586	Auxiliary leg side cover (FL1200)								1	1
7	-14371	Auxiliary leg top cover	1	1	1	1	1	1	1		
7	-14589	Auxiliary leg top cover (FL1200)								1	1
8	-15613	Pedestal inner cover for FL1200								2	2

2. Main Leg

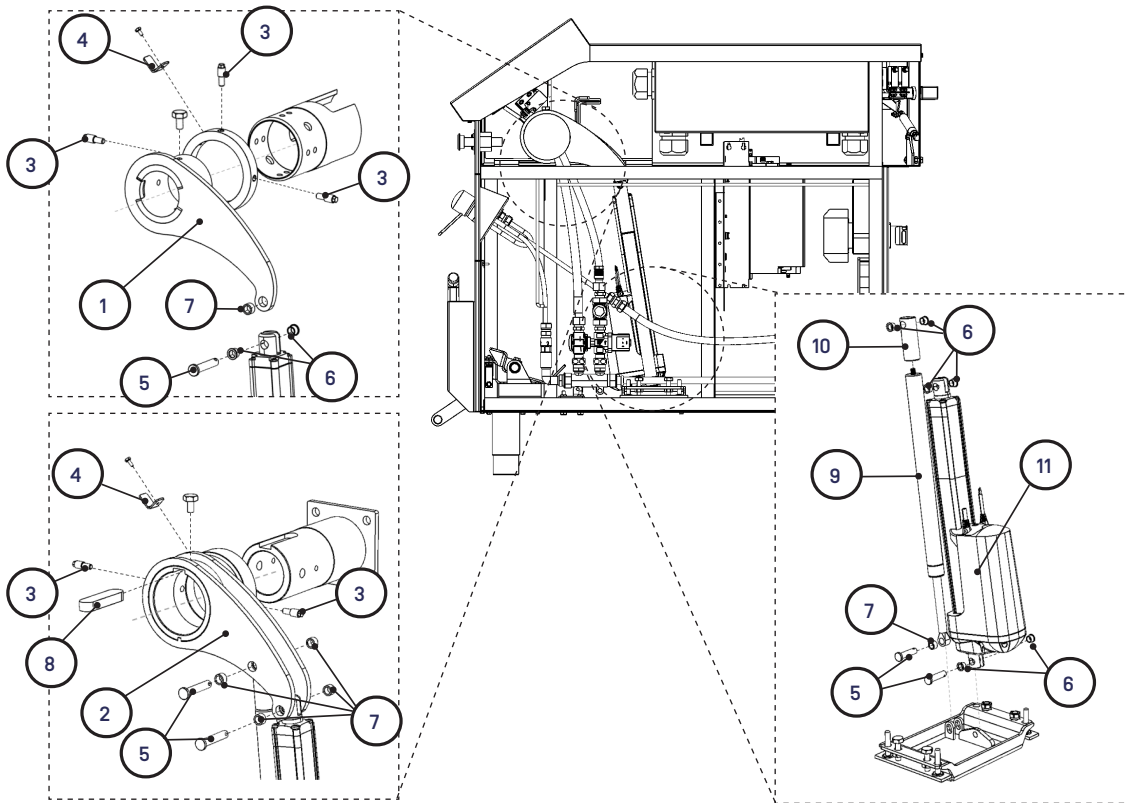
2.1 Main- & emergency switch



POS.	Prt.Nr	DESCRIPTION	40	60	80	100	150	200	300	400	475
1	DI1072	Limit switch	3	3	3	3	3	3	3	3	3
2	DI590	Emergency stop button	1	1	1	1	1	1	1	1	1
3	DI906	Emergency stop sign	1	1	1	1	1	1	1	1	1
4	DI148	NC Contact module	1	1	1	1	1	1	1	1	1
5	DI867	USB-Connector	1	1	1	1	1	1	1	1	1
6	DI868	USB cover	1	1	1	1	1	1	1	1	1
7	DI286	Main switch 40A	1	1	1	1					
8	DI287	Main switch N connector 12-40A	1	1	1	1					
9	DI288	Main switch PE-connector 12-40A	1	1	1	1					
10	DI503	Protective Shroud [L1-L3] 20-40A	2	2	2	2					
11	DI504	Protective Shroud [N] 20-40A	2	2	2	2					

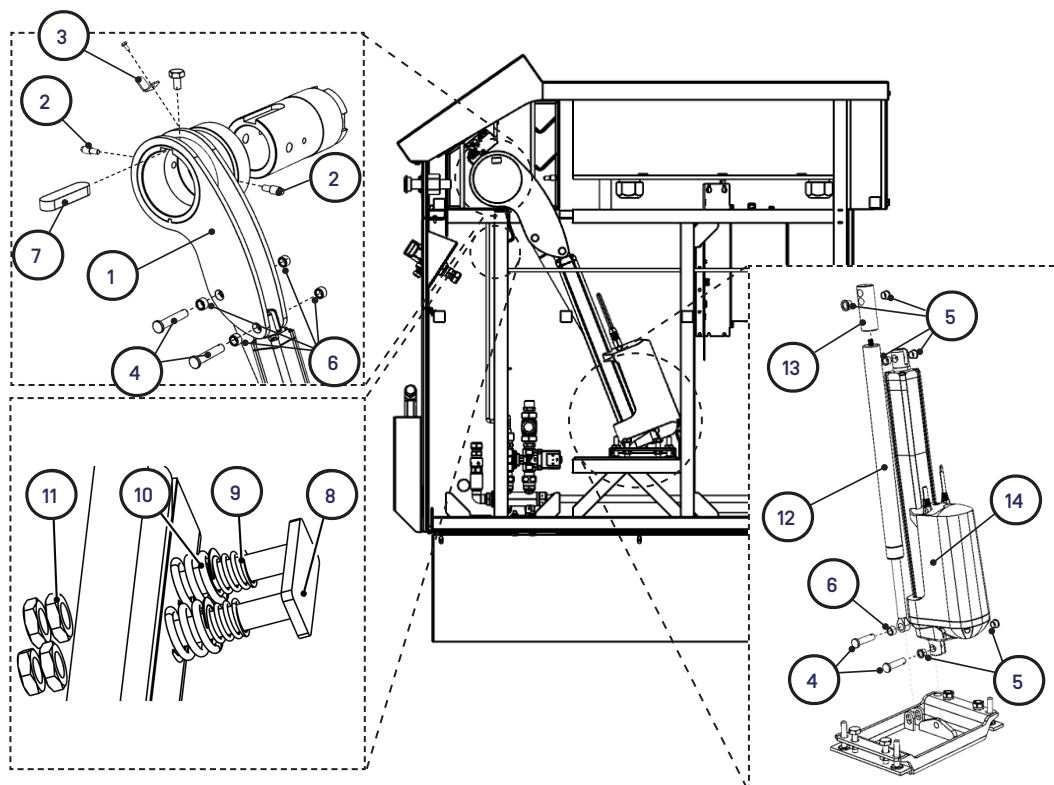
POS.	Prt.Nr	DESCRIPTION	40	60	80	100	150	200	300	400	475
7	DI885	Main switch 63A					1	1			
7	DI292	Main switch 80A							1	1	1
8	DI293	Main switch N connector 63-80A					1	1	1	1	1
9	DI291	Main switch PE connector 63-80A					1	1	1	1	1
10	DI505	Protective Shroud (L1-L3)63-80A					2	2	2	2	2
11	DI402	Protective Shroud (N) 63-80A					2	2	2	2	2
12	DI403	Main switch handle (RED) 20-40	1	1	1	1					
13	DI405	Main switch shaft 12-40A	1	1	1	1					
12	DI290	Main switch handle (RED) 63-80					1	1	1	1	1
13	DI400	Main switch shaft 63-80A					1	1	1	1	1
14	DI1078	Buzzer (End of cooking program alarm)	1	1	1	1	1	1	1	1	1
15	DI1068	Leg fan	1	1	1	1	1	1	1	1	1

2.2 Tilting parts for 40-300L



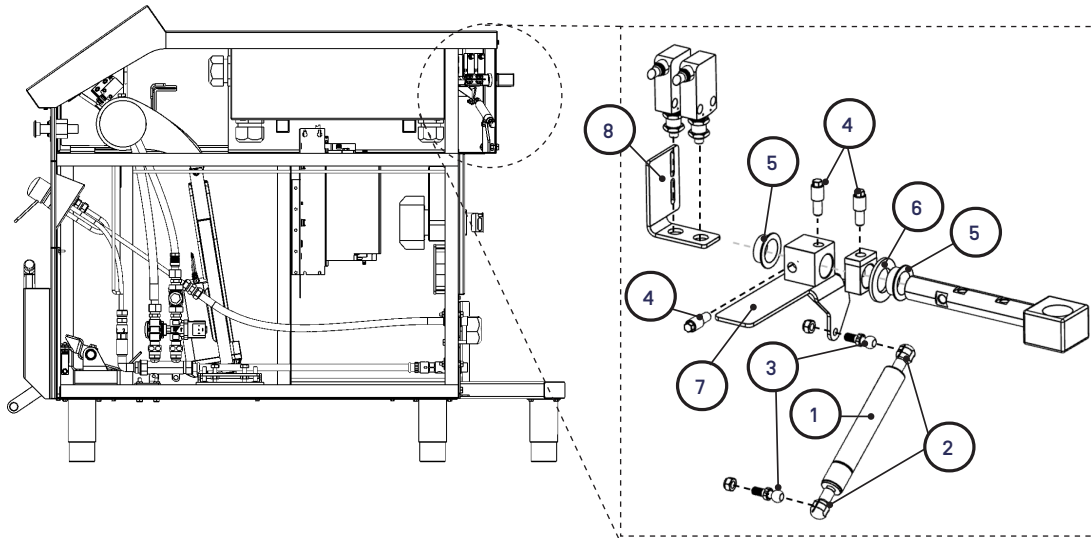
POS.	Prt.Nr	DESCRIPTION	40	60	80	100	150	200	300
1	54989	Tilting lever 40-100L	1	1	1	1			
2	54874	Tilting lever 150-300L					1	1	1
3	54603	Securing screw	4	4	4	4	2	2	2
4	55054	S8 - Cooking position switch counter part	1	1	1	1	1	1	1
5	2449	Connection Pin	2	2	2	2	1	1	2
5	54243	Connection Pin (Long)					1	1	2
6	46703	Tilting motor bushings	4	4	4	4	4	4	7
7	44466	Tilting lever bushing	1	1	1	1	2	2	4
8	55158	A type flat key					1	1	1
9	54868	Gas spring for tilting. ONLY 300L							1
10	54877	Gas spring end-part							1
11	DI542	Tilting Motor LA36	1	1	1	1	1	1	1

2.3 Tilting parts for 400-475L



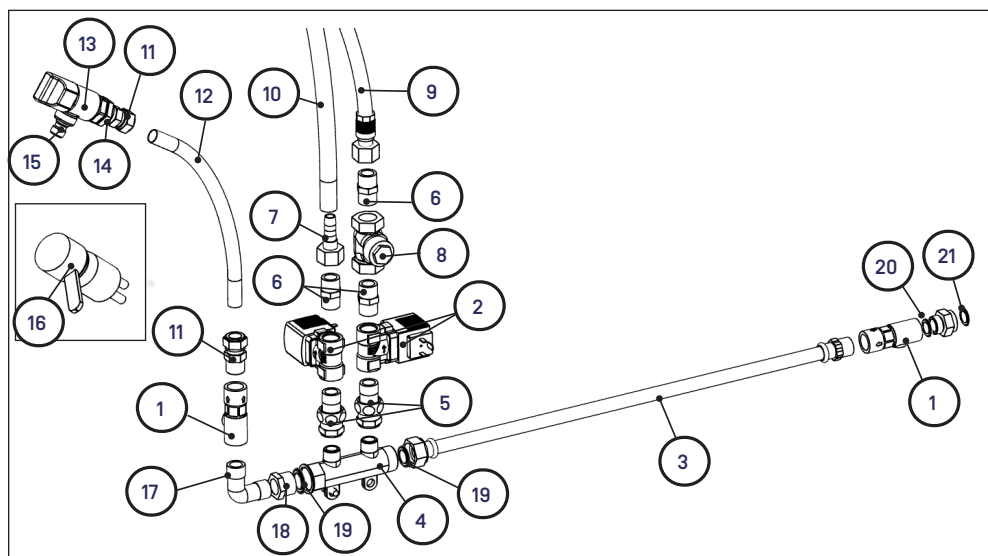
POS.	Prt.Nr	DESCRIPTION	400	475
1	54989	Tilting lever assembly 400-475	1	1
2	54603	Securing screw	2	2
3	55054	S8 - Cooking position switch counter part	1	1
4	54243	Connection Pin (Long)	2	2
4	2449	Connection Pin (Short, for lower connection)	2	2
5	46703	Tilting motor bushings	7	7
6	44466	Tilting lever bushing	4	4
7	55158	A type flat key	1	1
8	55303	Stopper	1	1
9	55341	Stopper spring 1	2	2
10	55342	Stopper spring 2	1	1
11	#na	Securing nuts M12	4	4
12	54868	Gas spring for tilting	1	1
13	54877	Gas spring end-part	1	1
14	DI542	Tilting Motor LA36	1	1

2.4 Lid hinge parts



POS:	Prt.Nr	DESCRIPTION	40	60	80	100	150	200	300	400	475
1	55172	Gas spring 40-100L (400N)	1	1	1	1					
1	55173	Gas spring 150-200L (500N)					1	1			
1	55174	Gas Spring 300L (600N)							1	1	1
2	54704	Gas Spring End fitting	2	2	2	2	2	2	2	2	2
3	54703	End Fitting - Ball Stud	2	2	2	2	2	2	2	2	2
4	46703	Securing screw	3	3	3	3	3	3	3	3	3
5	54705	Bushing for lid tube	2	2	2	2	2	2	2	2	2
6	#na	Washer for lid tube assembly	1	1	1	1	1	1	1	1	1
7	54880	Lid switch lever	1	1	1	1	1	1	1	1	1
8	55052	Lid switch rack	1	1	1	1	1	1	1	1	1

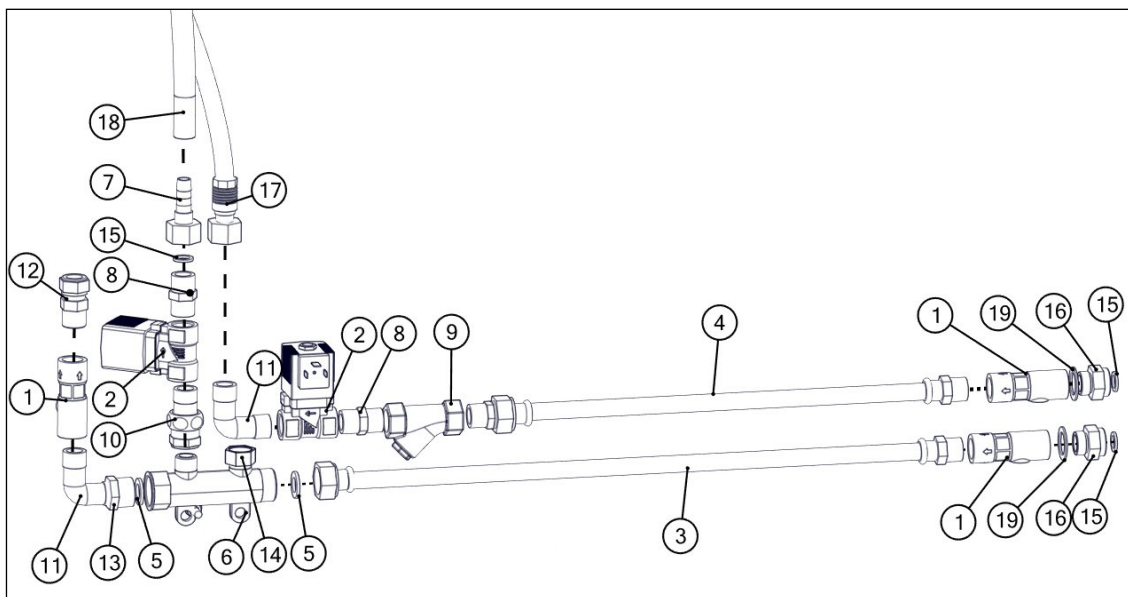
2.5 Water components, main leg



POS.	Prt.Nr	DESCRIPTION	40	60	80	100	150	200	300	400	475
1	55002	Backflow preventer	2	2	2	2	2	2	2	2	2
2	DI052	Solenoid valve 1/2" [Connector pos. 22]	2	2	2	2	2	2	2	2	2
3	n/a	Tube 530	1	1	1	1	1	1	1	1	1
4	55038	Water line manifold	1	1	1	1	1	1	1	1	1
5	54950	Connector	2	2	2	2	2	2	2	2	2
6	54949	Male connection nipple 1/2"	3	3	3	3	3	3	3	3	3
7	55018	Connector for food water hose	1	1	1	1	1	1	1	1	1
8	2577	One way valve	1	1	1	1	1	1	1	1	1
9	54307	Teflon hose 1,7m	1	1	1	1	1	1	1	1	1
9	54306	Teflon hose 2,2m [alternative for 54307 1,7m]	1	1	1	1	1	1	1	1	1
10	54557	Food water hose	1	1	1	1	1	1	1	1	1
10	55479	Food water hose 20240913 ->	1	1	1	1	1	1	1		
11	2996	Connector straight 1/2"-15	1	1	1	1	1	1	1	1	1

POS.	Prt.Nr	DESCRIPTION	40	60	80	100	150	200	300	400	475
12	2535	Teflon hose (700mm)	1	1	1	1	1	1	1	1	1
13	17196	Cleaning valve	1	1	1	1	1	1	1	1	1
14	49454	Holder nut for cleaning valve	1	1	1	1	1	1	1	1	1
15	17198	Quick coupler (male)	1	1	1	1	1	1	1	1	1
16	13406	Faucet Warm/cold	1	1	1	1	1	1	1	1	1
17	54946	Connector 90°	1	1	1	1	1	1	1	1	1
18	54947	Connector	1	1	1	1	1	1	1	1	1
19	49896	Gasket 3/4"	2	2	2	2	2	2	2	2	2
20	55151	Gasket for backflow preventer	1	1	1	1	1	1	1	1	1
21	49895	Gasket 1/2"	1	1	1	1	1	1	1	1	1
22	DI905	Solenoid valve connector with filter/LED	2	2	2	2	2	2	2	2	2

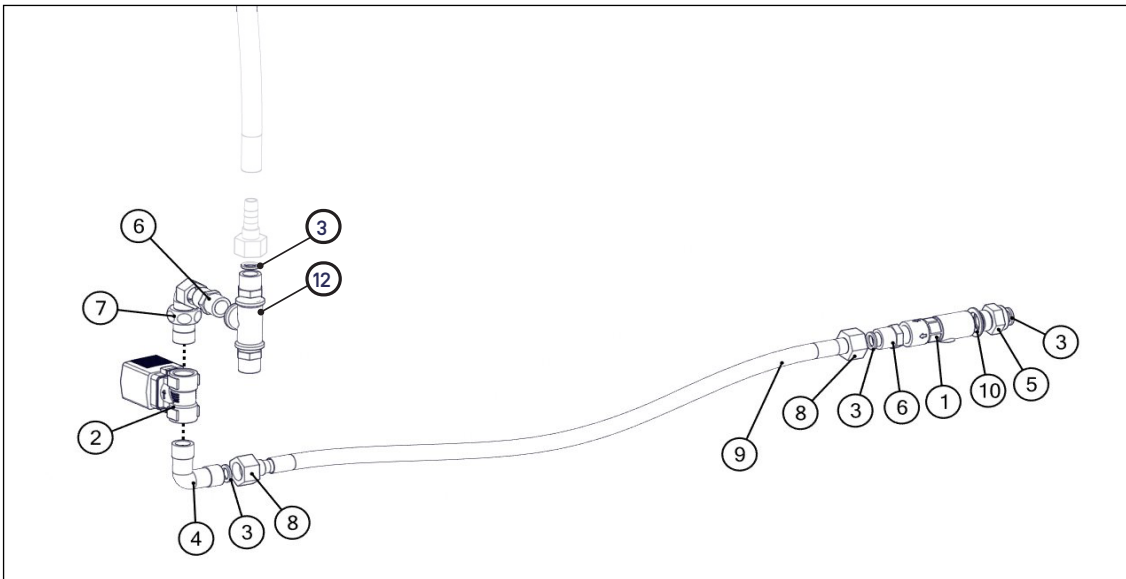
2.6 Soft water components, main leg



POS:	Prt.Nr	DESCRIPTION	40	60	80	100	150	200	300	400	475
1	55002	Backflow preventer	3	3	3	3	3	3	3	3	3
2	DI052	Solenoid valve 1/2" [Connector pos. 20]	2	2	2	2	2	2	2	2	2
3	n/a	Tube 530	1	1	1	1	1	1	1	1	1
4	n/a	Tube 385	1	1	1	1	1	1	1	1	1
5	49896	Gasket 3/4"	2	2	2	2	2	2	2	2	2
6	55038	Water line manifold	1	1	1	1	1	1	1	1	1
7	55018	Connector for food water	1	1	1	1	1	1	1	1	1
8	54949	Male connection nipple 1/2"	2	2	2	2	2	2	2	2	2
9	54157	Strainer	1	1	1	1	1	1	1	1	1
10	54950	Connector	1	1	1	1	1	1	1	1	1
11	54946	Connector 90°	2	2	2	2	2	2	2	2	2
12	2996	Connector straight 1/2"-15	1	1	1	1	1	1	1	1	1
13	54947	Connector	1	1	1	1	1	1	1	1	1
14	49899	Plug 1/2"	1	1	1	1	1	1	1	1	1
15	49895	Gasket 1/2"	3	3	3	3	3	3	3	3	3
16	55016	Connector	2	2	2	2	2	2	2	2	2
17	54307	Teflon hose 1,7m	1	1	1	1	1	1	1	1	1
17	54306	Teflon hose 2,2m [alternative part for 54307]	1	1	1	1	1	1	1	1	1

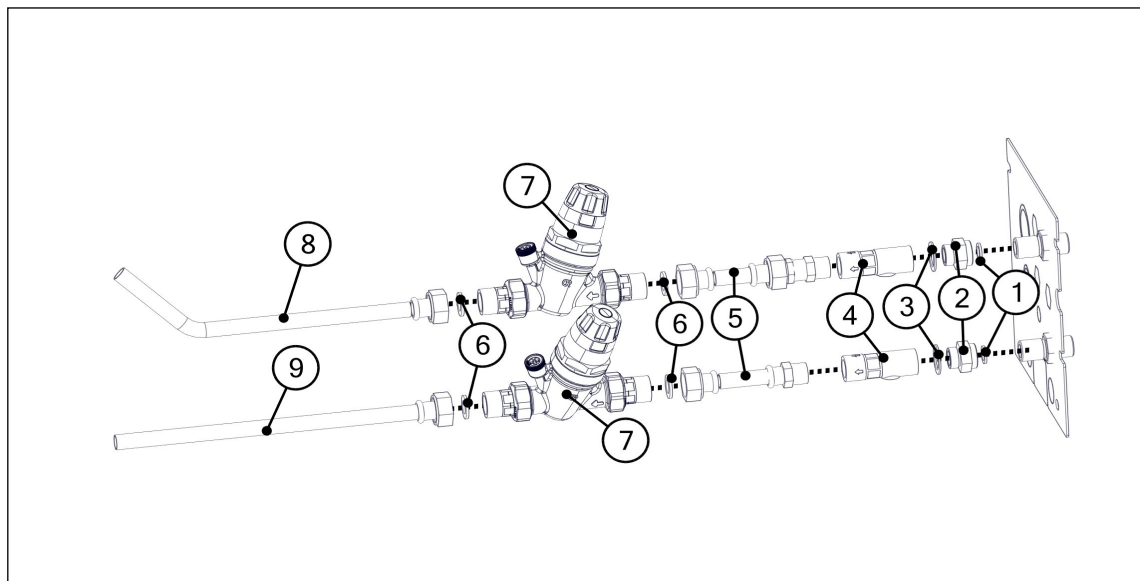
POS:	Prt.Nr	DESCRIPTION	40	60	80	100	150	200	300	400	475
18	54557	Food water hose	1	1	1	1	1	1	1	1	1
18	55479	Food water hose 20240913 ->	1	1	1	1	1	1	1		
19	55151	Gasket for backflow preventer	2	2	2	2	2	2	2	2	2
20	DI905	Solenoid valve connector with filter/LED	2	2	2	2	2	2	2	2	2

2.7 Hot water components, main leg



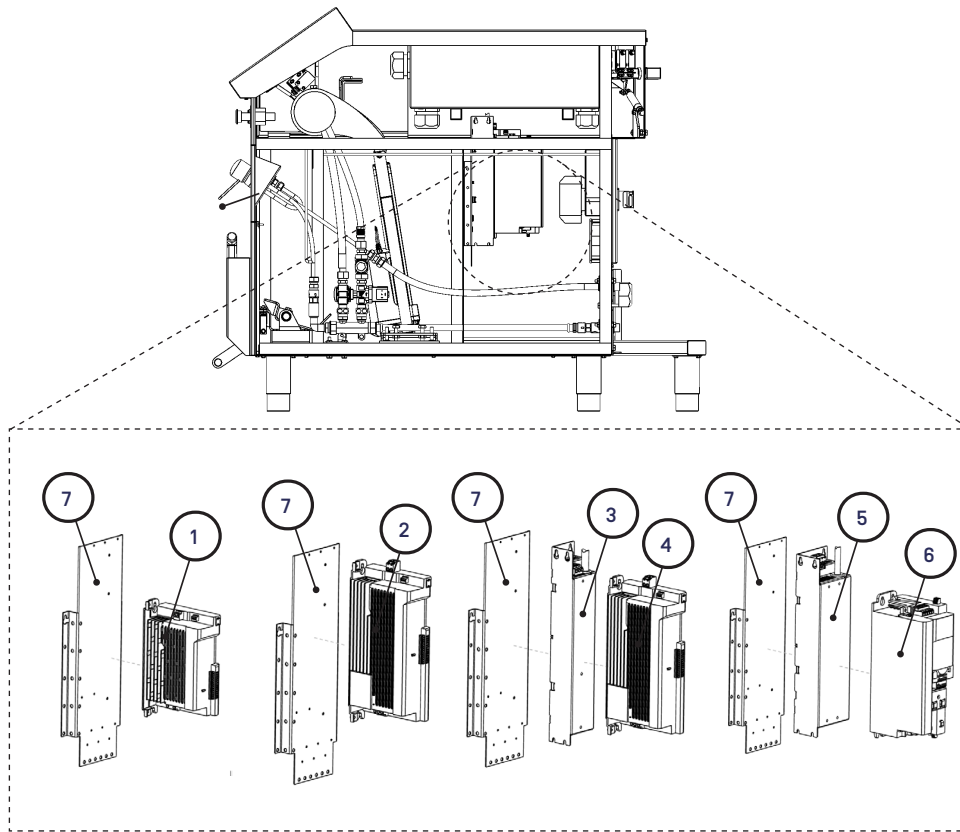
POS.	Prt.Nr	DESCRIPTION	40	60	80	100	150	200	300	400	475
1	55002	Backflow preventer	1	1	1	1	1	1	1	1	1
2	DI052	Solenoid valve (Connector pos. 11)	1	1	1	1	1	1	1	1	1
3	49895	Gasket	4	4	4	4	4	4	4	4	4
4	54946	Angle connector 1/2"	1	1	1	1	1	1	1	1	1
5	55016	Straight connector 1/2"	1	1	1	1	1	1	1	1	1
6	54949	Straight connector 1/2"-1/2"	2	2	2	2	2	2	2	2	2
7	54945	Angle connector 1/2"-1/2"	1	1	1	1	1	1	1	1	1
8	55018	Hose connector 1/2" hst	2	2	2	2	2	2	2	2	2
9	54557	Hose for hot water	1	1	1	1	1	1	1	1	1
10	55151	Gasket for Backflow preventer	1	1	1	1	1	1	1	1	1
11	DI905	Solenoid valve connector with filter/LED	1	1	1	1	1	1	1	1	1
12	54951	T-Connector 1/2"	1	1	1	1	1	1	1	1	1

2.8 Nordic version inlet water line, main leg



POS.	Prt.Nr	DESCRIPTION	40	60	80	100	150	200	300	400	475
1	49895	Gasket 1/2"	2	2	2	2	2	2	2	2	2
2	55016	Connector 1/2"-1/2"	2	2	2	2	2	2	2	2	2
3	55151	Gasket for backflow preventer	2	2	2	2	2	2	2	2	2
4	55002	Backflow preventer	2	2	2	2	2	2	2	2	2
5	#na	Copper pipe with connectors	2	2	2	2	2	2	2	2	2
6	49896	Gasket 3/4"	4	4	4	4	4	4	4	4	4
7	DI1095	Water pressure reducer	2	2	2	2	2	2	2	2	2
8	#na	Copper pipe for faucet 15x1	1	1	1	1	1	1	1	1	1
9	#na	Copper pipe - 300 15x1	1	1	1	1	1	1	1	1	1

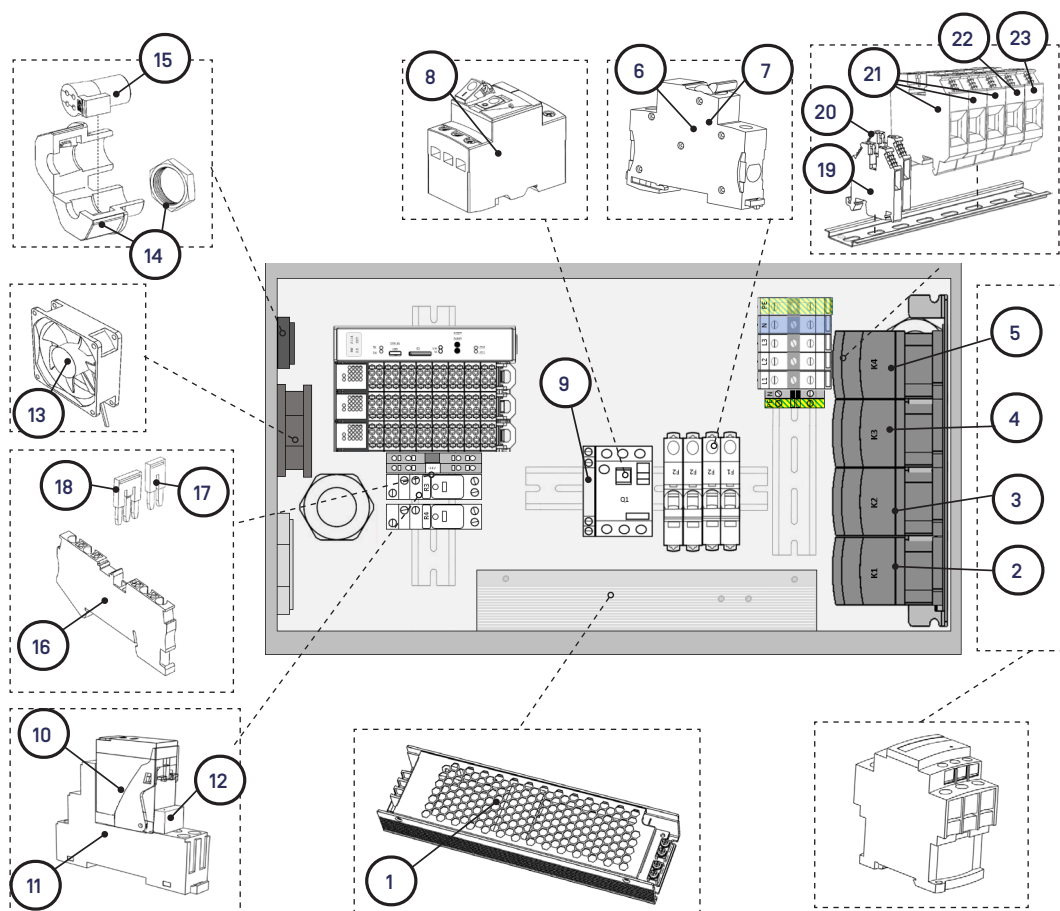
2.9 Electrical parts - Speed controller



POS.	Prt.Nr	DESCRIPTION	40	60	80	100	150	200	300	400	475
1	DI970	Speed controller 0,75kW 1x230V	1	1	1	1					
2	DI971	Speed controller 1,5kW 1x230V					1	1			
3	DI976	RFI-Filter for 2,2kW speed controller					1*	1*	1		
4	DI973	Speed controller 2,2kW 3x400V					1*	1*	1		
5	DI977	RFI-Filter for 3,0kW speed controller							1*	1	1
6	DI974	Speed controller 3,0kW 3x400V (Boosted)							1*	1	1
7	#n/a	Speed controller mounting plate	1	1	1	1	1	1	1	1	1
8	DI975	Diagnostic module for i500-series	1	1	1	1	1	1	1	1	1
9	DI1001	EPM for i500-series	1	1	1	1	1	1	1	1	1

***BOOSTED VERSION**

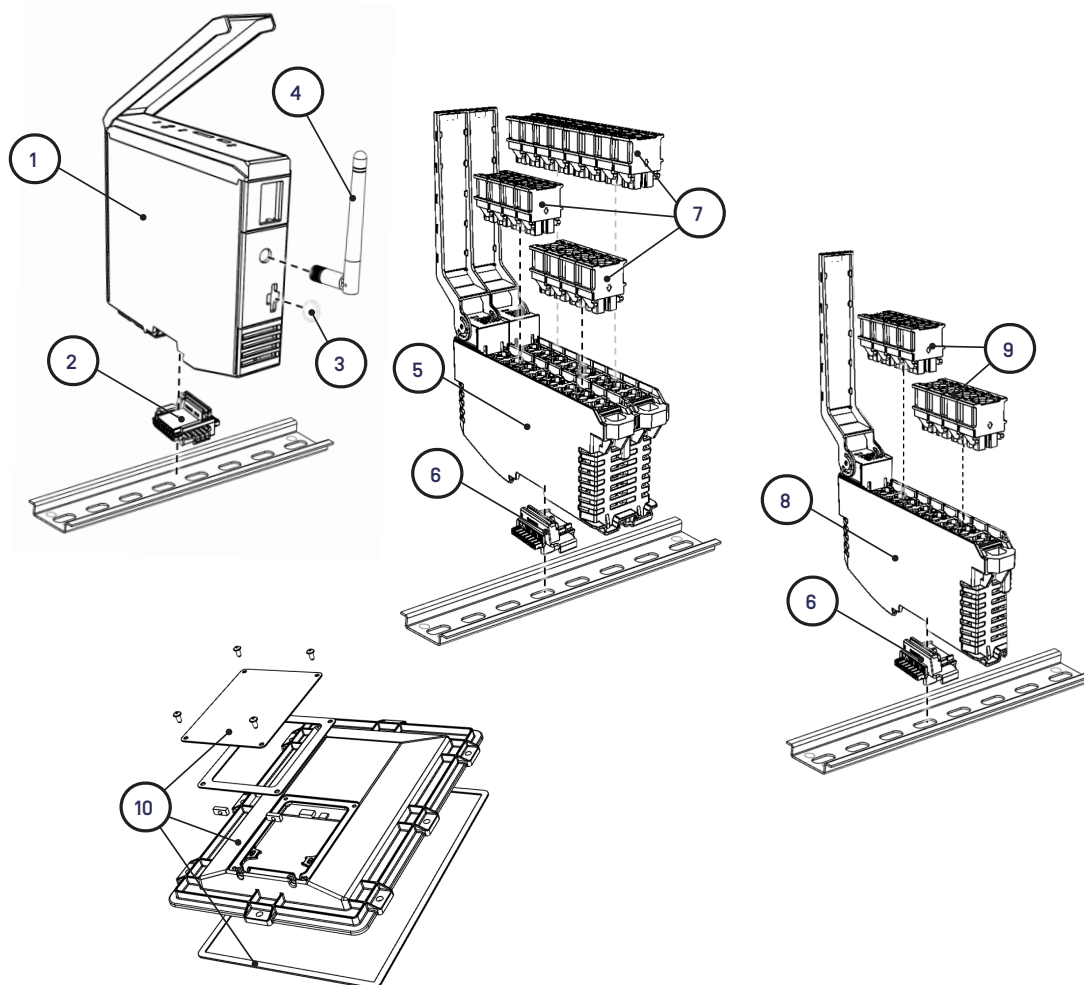
2.10 Electrical parts - Housing



POS.	Prt.Nr	DESCRIPTION	40	60	80	100	150	200	300	400	475
1	DI1069	Power unit 24VDC/14,4A	1	1	1	1	1	1	1	1	1
2	DI1056	Contacteur K1 (32A)	1	1			1				
2	DI1057	Contacteur K1 (40A)			1	1		1	1	1	1
3	DI1056	Contacteur K2 (32A)					1	1			
3	DI1057	Contacteur K2 (40A)							1	1	1
4	DI1056	Contacteur K3 (32A)	1	1	1	1	1	1	1	1	1
5	DI1056	Contacteur K4 (32A) NOTE! ONLY IN CH5 KETTLES					1	1	1	1	1
6	DI101	Fuse F1	1	1	1	1	1	1	1	1	1
7	DI051	Fuse F2 16A	1	1	1	1					
7	DI053	Fuse F2 20A					1	1			
7	DI101	Fuse F2 10A							3	3	3

POS.	Prt.Nr	DESCRIPTION	40	60	80	100	150	200	300	400	475
8	DI1006	Motor protection Switch Q1 NOTE! ONLY IN CH5 KETTLES					1	1	1	1	1
9	DI944	Aux.contact for Q1 NOTE! ONLY IN CH5 KETTLES					1	1	1	1	1
10	DI1009	R3/R4 Relay					1	1	1	1	1
11	DI1010	R3/R4 Relay base					1	1	1	1	1
12	DI1011	R3/R4 Diode for relay					1	1	1	1	1
13	DI630	Elec.housing fan	1	1	1	1	1	1	1	1	1
14	55195	Cable grommet for HDMI/ USB	1	1	1	1	1	1	1	1	1
15	55196	Inner part for 55195	1	1	1	1	1	1	1	1	1
16	55111	Minus terminal [-24VDC]	2	2	2	2	2	3	3	3	3
17	55113	Cross connector 2,5-2	1	1	1	1	1				
18	55114	Cross connector 2,5-3						1	1	1	1
19	2342	Terminal WKN4 [N]	1	1	1	1	1	1	1	1	1
20	8013	Terminal WK4 [GND]	1	1	1	1	1	1	1	1	1
21	2339	Terminal block L1-L3 WKN16	3	3	3	3	3	3			
21	2336	Terminal block L1-L3 WKN35							3	3	3
22	2340	Terminal block N WKN16	1	1	1	1	1	1			
22	2337	Terminal block N WKN35							1	1	1
23	2341	Terminal block GND WKN16	1	1	1	1	1	1			
23	2338	Terminal block GND WKN35							1	1	1

2.11 Electrical parts - Modules



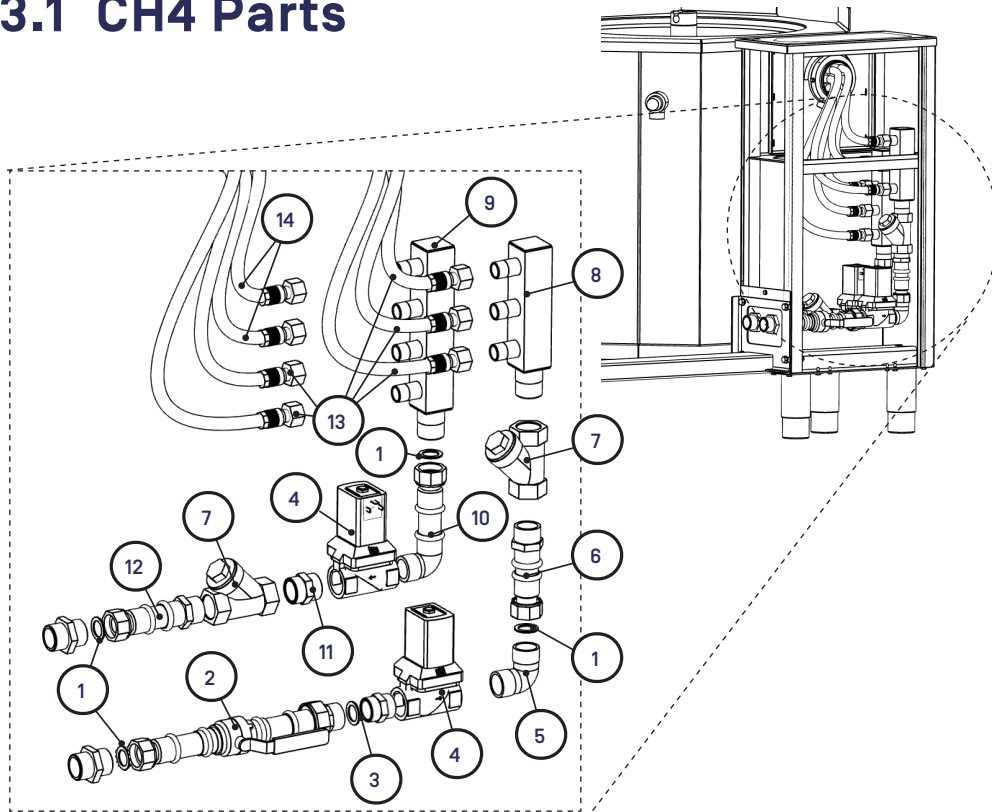
POS.	Prt.Nr	DESCRIPTION	40	60	80	100	150	200	300	400	475
1	DI1065	PC-Module	1	1	1	1	1	1	1	1	1
2	DI1073	Can-Bus connector (PC)	1	1	1	1	1	1	1	1	1
3	#na	Battery BR-1225	1	1	1	1	1	1	1	1	1
4	#na	WiFi antenna	1	1	1	1	1	1	1	1	1
5	DI1064	I01-Module	1	1	1	1	1	1	1	1	1
6	DI1071	Can-bus connector (I01/I02)	1	1	1	1	1	1	1	1	1
7	DI1070	I01-Module connector kit	1	1	1	1	1	1	1	1	1
8	DI1066	I02-Module (CH4/CH5/Scale)	1	1	1	1	1	1	1	1	1
9	DI1079	I02-Module connector kit	1	1	1	1	1	1	1	1	1
10	DI1067	Display-module complete	1	1	1	1	1	1	1	1	1

2.12 Electrical parts - Cables

POS.	Prt.Nr	DESCRIPTION	40	60	80	100	150	200	300	400	475
1	4638	Cable 1 - Mixer motor	1	1	1	1	1				
2	55176	Cable 1 -Mixer motor						1	1	1	1
3	5987	Cable 2 - Mixer thermal cut-out	1	1	1	1	1				
4	55177	Cable 2 - Mixer thermal cut-out						1	1	1	1
5	55178	Cable 3 - P1 sensor cable	1	1	1	1	1	1	1	1	1
6	55179	Cable 4 - P2/P4 sensor cable	1	1	1	1	1	1	1	1	1
7	55180	Cable 5 - Kettle back	1	1	1						
8	55181	Cable 5 - Kettle back				1	1	1	1	1	1
9	55182	Cable 6 - Inverter control	1	1	1	1	1	1	1	1	1
10	55183	Cable 7 - Emergency stop	1	1	1	1	1	1	1	1	1
11	55184	Cable 8 - Main leg, valves	1	1	1	1	1	1	1	1	1
12	55185	Cable 9 - main leg, Fan	1	1	1	1	1	1	1	1	1
13	#na	Cable 10 - Aux.leg CH4/CH5	1	1	1	1	1	1	1	1	1
14	55214	Heating element cable set [230]	2	1							
15	55215	Heating element cable set [270]		1	2	2	1				
16	55216	Heating element cable set [300]					2	3			
17	55217	Heating element cable set [350]							4	4	4
18	55218	GND cable set [250]	1	1	1	1					
19	55219	GND cable set [270]					1	1			
20	55220	GND cable set [350]							1	1	1
21	DI1052	Water meter connection cable	1	1	1	1	1	1	1	1	1

3. Auxiliary Leg [CH4/ CH5]

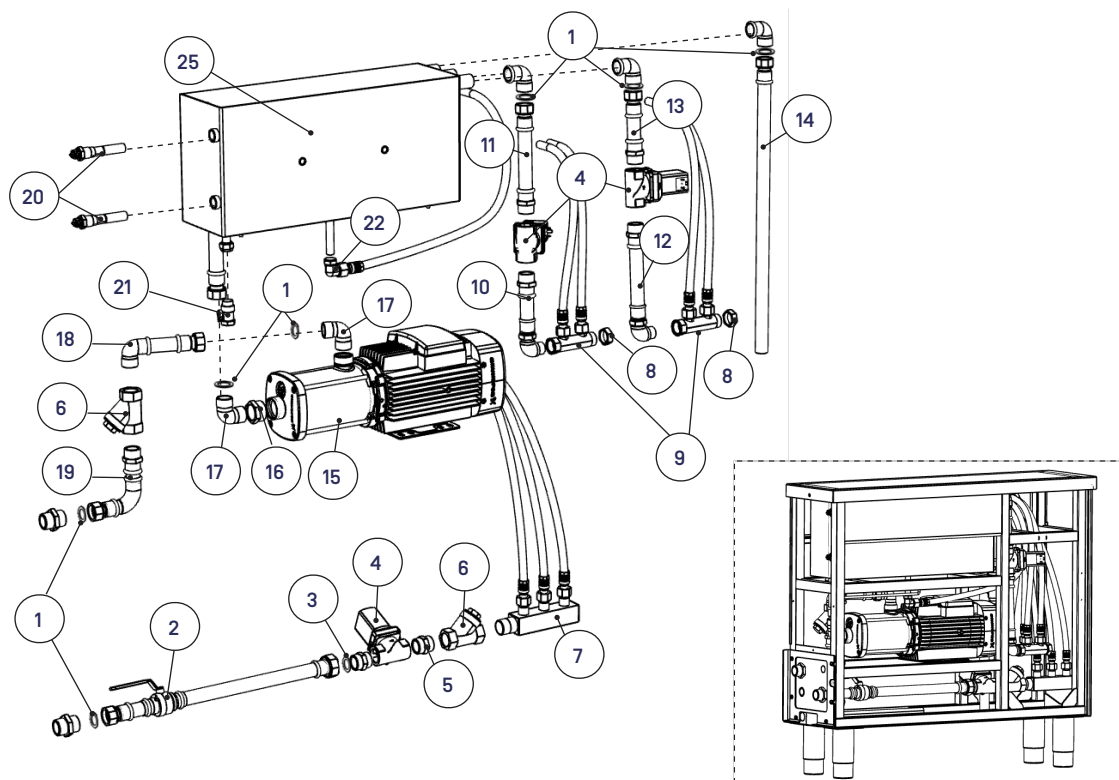
3.1 CH4 Parts



POS.	Prt.Nr	DESCRIPTION	40	60	80	100	150	200	300	400	475
1	55151	Gasket	4	4	4	4	4	4	4	4	4
2	55231	Ball valve assembly 1"	1	1	1	1	1	1	1	1	1
3	#na	Gasket 1-1/2"	1	1	1	1	1	1	1	1	1
4	DI1082	Solenoid valve 1" (Connector pos. 14)	2	2	2	2	2	2	2	2	2
5	55135	Angle connector 1"	1	1	1	1	1	1	1	1	1
6	#na	Pipe assembly inlet 1	1	1	1	1	1	1	1	1	1
7	50011	One-way valve 1"	1	1	1	1	1	1	1	1	1
8	55210	Hose connection hub [3]	1	1	1	1	1	1	1	1	1
9	55280	Hose connection hub [4]	1	1	1	1	1	1	1	1	1
10	#na	Pipe assembly Outlet 1	1	1	1	1	1	1	1	1	1
11	49733	1" Connector (male/male)	1	1	1	1	1	1	1	1	1
12	#na	Pipe assembly Outlet 2	1	1	1	1	1	1	1	1	1
13	54306	Teflon hose assembly 2,2m*	5	5	5	5	5	5	5	5	5
14	54307	Teflon hose assembly 1,7m*	2	2	2	2	2	2	2	2	2
15	DI905	Solenoid valve connector with filter/LED	2	2	2	2	2	2	2	2	2

* length of the hose can vary by size of the kettle

3.2 CH5 Parts



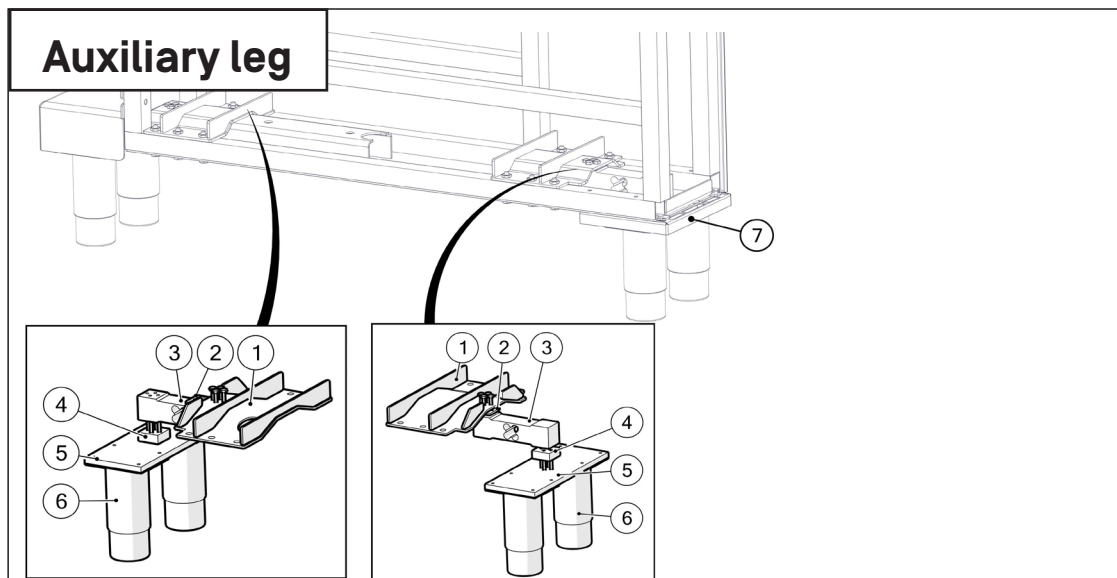
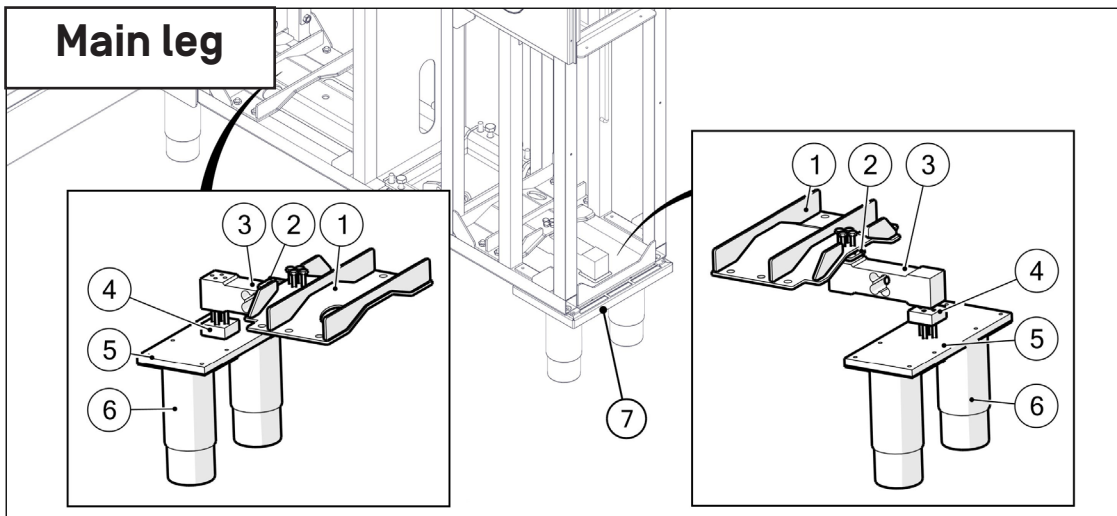
POS.	Prt.Nr	DESCRIPTION	40	60	80	100	150	200	300	400	475
1	55151	Gasket					6	6	6	6	6
2	55231	Ball valve assembly 1"					1	1	1	1	1
3	#na	Gasket 1-1/2"					1	1	1	1	1
4	DI1082	Solenoid valve 1" (Connector pos. 26)					3	3	3	3	3
5	49733	Connector 1"					1	1	1	1	1
6	50011	One-way valve 1"					2	2	2	2	2
7	55210	Hose connection hub [3]					1	1	1	1	1
8	49900	End cap for hub					2	2	2	2	2
9	48167	Hose connection hub [2]					2	2	2	2	2
10	#na	Pipe assembly CH5-1					1	1	1	1	1
11	#na	Pipe assembly CH5-2					1	1	1	1	1
12	#na	Pipe assembly CH5-3					1	1	1	1	1
13	#na	Pipe assembly CH5-4					1	1	1	1	1
14	#na	Overflow tube					1	1	1	1	1

POS.	Prt.Nr	DESCRIPTION	40	60	80	100	150	200	300	400	475
15	DI1008	Pump	1	1	1	1	1	1	1	1	1
16	49054	Pump nipple	1	1	1	1	1	1	1	1	1
17	55135	Angle connector	1	1	1	1	1	1	1	1	1
18	#na	Pipe assembly CH5-5	1	1	1	1	1	1	1	1	1
19	#na	Pipe assembly CH5-6	1	1	1	1	1	1	1	1	1
20	DI642	Float switch	2	2	2	2	2	2	2	2	2
21	2585	Ball valve 1/2"	1	1	1	1	1	1	1	1	1
22	2789	Angle connector 1/2"	1	1	1	1	1	1	1	1	1
23	54306	Teflon hose 2,2m*	6	6	6	6	6	6	6	6	6
24	54307	Teflon hose 1,7m*	2	2	2	2	2	2	2	2	2
25	55145	Intermediate tank	1	1	1	1	1	1	1	1	1
26	DI905	Solenoid valve connector with filter/LED	3	3	3	3	3	3	3	3	3

* length of the hose can vary by size of the kettle

4. Weighing / scale

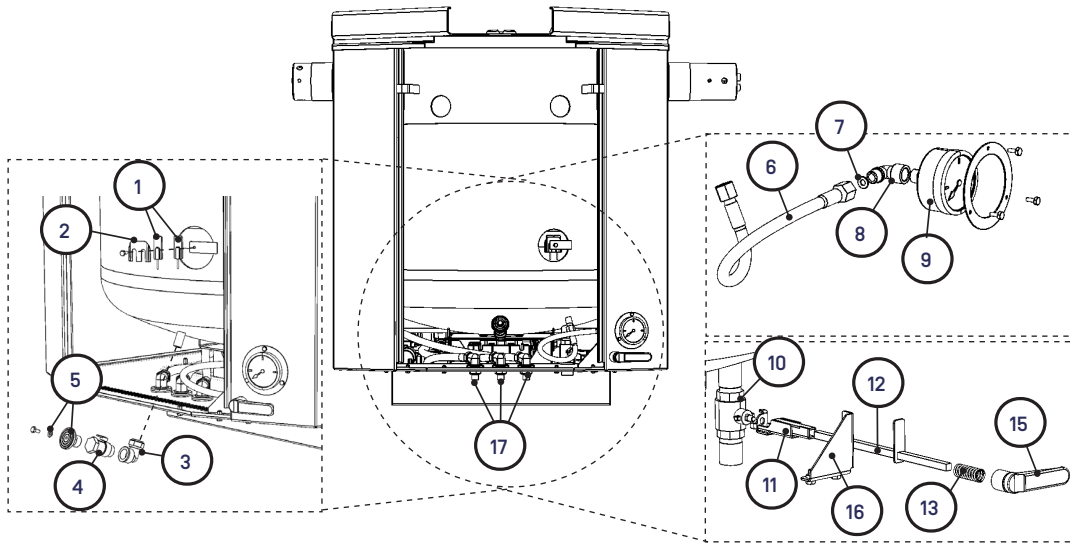
4.1 Scale system



POS.	Prt.Nr	DESCRIPTION	40	60	80	100	150	200	300	400	475
1	54855	Scale bridge	4	4	4	4	4	4	4	-	-
2	54890	Upper spacer	4	4	4	4	4	4	4	-	-
3	DI1055	Scale sensor	4	4	4	4	4	4	4	-	-
4	54893	Lower spacer	4	4	4	4	4	4	4	-	-
5	54892	Bed	4	4	4	4	4	4	4	-	-
6	5180	Adjustable foot	8	8	8	8	8	8	8	-	-
7	54888	Scale cover	2	2	2	2	2	2	2	-	-

5. Kettle part

5.1 Kettle front



POS.	Prt.Nr	DESCRIPTION	40	60	80	100	150	200	300	400	475
1	D1951	P2/P4 temperature probe	1*	1*	1*	1*	1*	1*	1*	1*	1*
2	48712	Securing plate for P2/P4	1	1	1	1	1	1	1	1	1
3	2787	Angle connector	1	1	1	1	1	1	1	1	1
4	2585	Ball valve 1/2"	1	1	1	1	1	1	1	1	1
5	54792	Inspector connection	1	1	1	1	1	1	1	1	1
6	54540	Teflon assembly 0,4m	1	1	1	1	1	1	1	1	1
7	#na	Copper gasket 6x12	2	2	2	2	2	2	2	2	2
8	54784	Angle connector	1	1	1	1	1	1	1	1	1
9	DI1024	Pressure gauge	1	1	1	1	1	1	1	1	1
10	2590	Ball valve	1	1	1	1	1	1	1	1	1
11	55072	Emptying valve connection slider	1	1	1	1	1	1	1	1	1
12	55763	Emptying valve rod	1	1	1	1					
12	55764	Emptying valve rod					1	1			
12	55765	Emptying valve rod							1	1	1
13	55049	Spring	1	1	1	1	1	1	1	1	1

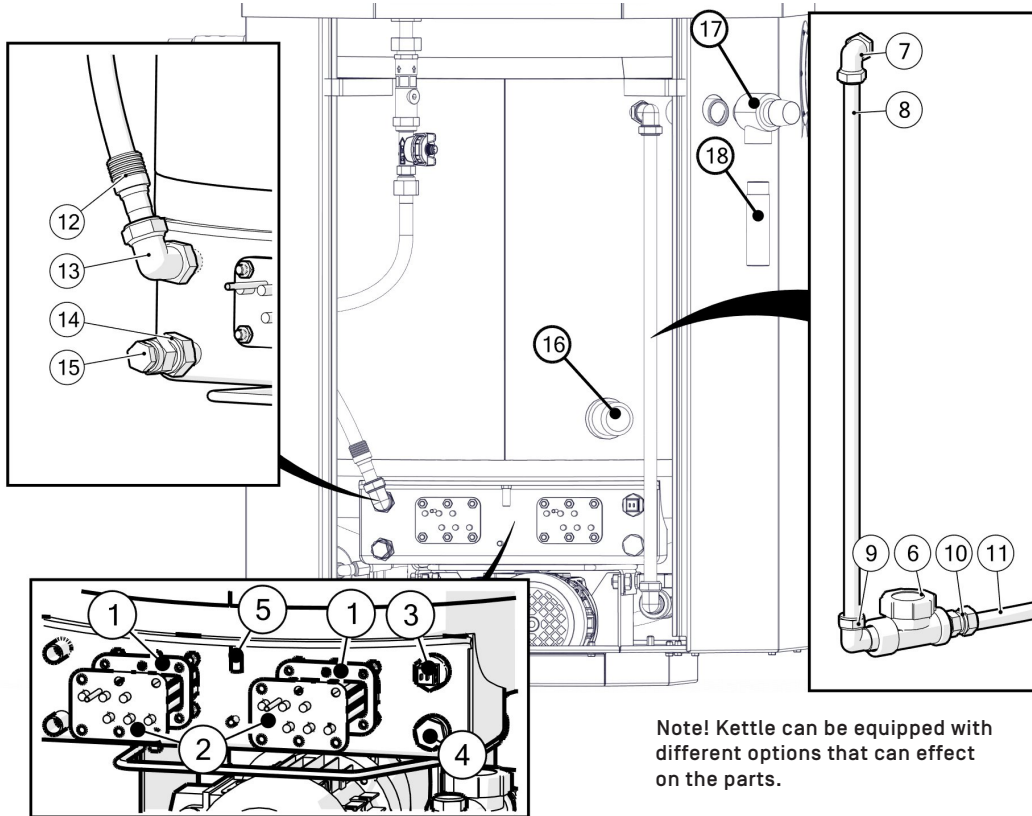
* P4 probe is option for external HACCP measuring.

**Depending on kettle options

POS.	Prt.Nr	DESCRIPTION	40	60	80	100	150	200	300	400	475
14	55237	Stopper for spring 55049	1	1	1	1	1	1	1	1	1
15	48094	Handle	1	1	1	1	1	1	1	1	1
16	55070	Stopper part	1	1	1	1	1	1	1	1	1
17	2786	Angle connector	1**	1**	1**	1**	1**	1**	1**	1**	1**

**Depending on kettle options

5.2 Kettle Rear [40-100L]

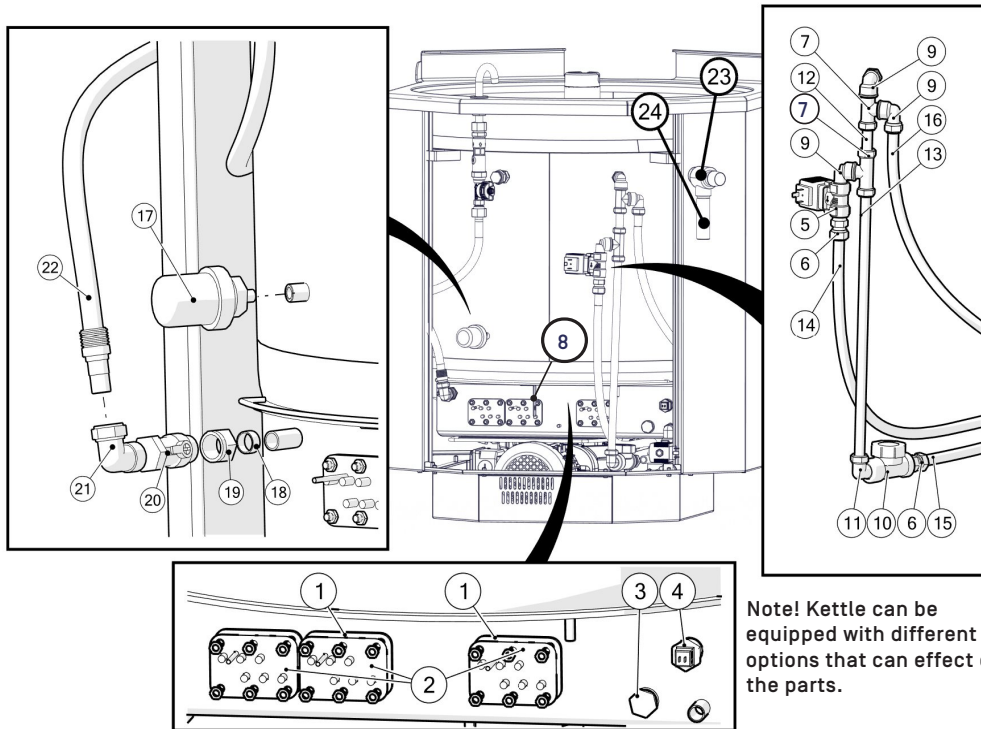


POS.	Prt.Nr	DESCRIPTION	40	60	80	100
1	55124	Heating element gasket	2	2	2	2
2	DI1075	Heating element 7,5kW	2	1		
2	DI1076	Heating element 12kW		1	2	2
3	DI642	Float switch	1*	1*	1*	1*
4	48159	Plug 1/2"	1	1	1	1
5	DI1013	P1 Jacket temperature sensor	1	1	1	1
6	DI064	Steam trap	1	1	1	1
7	2785	Angle connector	1	1	1	1
8	#na	Tube 15	1	1	1	1
9	2789	Angle connector	1	1	1	1
10	2996	Straight connector 1/2"	1	1	1	1
11	2535	Teflon hose	1	1	1	1
11	2583	Support sleeve	2	2	2	2

* Depending on kettle options

POS.	Prt.Nr	DESCRIPTION	40	60	80	100
12	54307	Teflon hose assembly 1,7m	1	1	1	1
13	2785	Angle connector	1	1	1	1
14	4860	Plug 3/8"	1	1	1	1
15	2998	Straight connector 3/8"	1	1	1	1
16	DI640	Pressure switch	1	1	1	1
17	DI103	Safety valve (1,5bar)	1	1	1	1
18	55035	Safety valve down pipe	1	1	1	1
19	2592	Terminal connection AL 2.12 for heating elements (1 set)	1	1	1	1

5.3 Kettle Rear (150-200L)

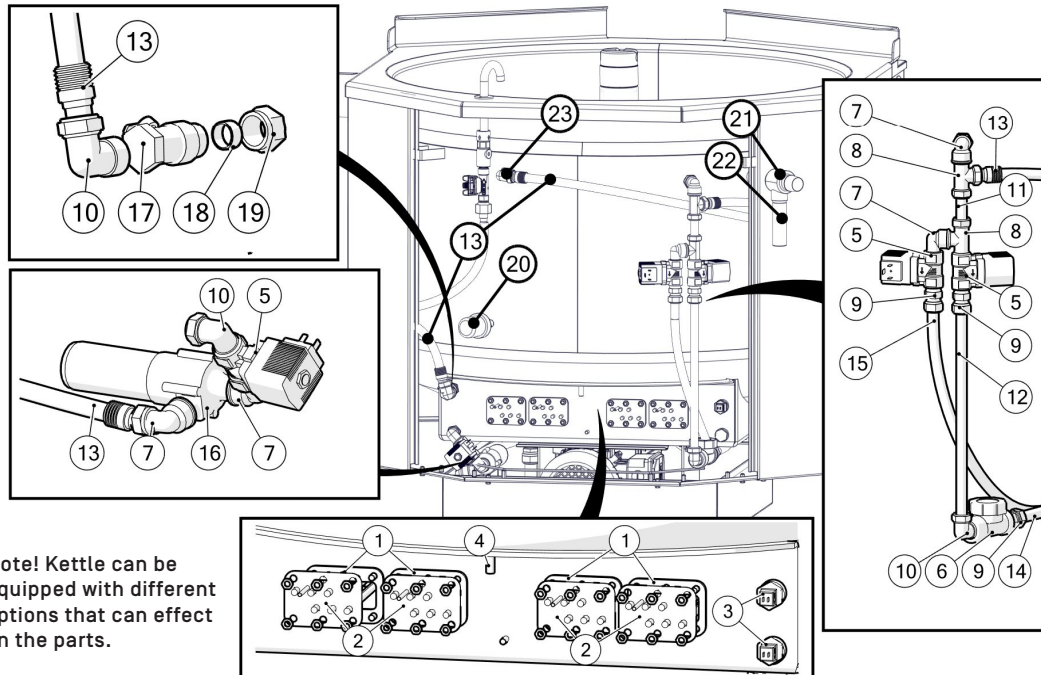


POS.	Prt.Nr	DESCRIPTION	150	200
1	55124	Heating element gasket	3	3
2	DI1075	Heating element 7,5kW	2	
2	DI1076	Heating element 12kW		2
2	DI1077	Heating element 15kW	1	1
3	48159	Plug 1/2"	1	1
4	DI642	Float switch	1	1
5	DI052	Solenoid valve	1	1
6	2996	Straight pipe connector 1/2"	2	2
7	3095	T-Connector 1/2"	2	2
8	DI1013	Jacket temperature sensor	1	1
9	2787	Angle connector	3	3
10	DI064	Steam trap	1	1

POS.	Prt.Nr	DESCRIPTION	150	200
11	2789	Angle connector	1	1
12	#na	Pipe	1	1
13	#na	Pipe	1	1
14	2535	Teflon hose (hose 3)	1	1
14	2583	Support sleeve	2	2
15	2535	Teflon hose (Hose 2)	1	1
15	2583	Support sleeve	2	2
16	2535	Teflon hose (Hose 4)	1	1
16	2583	Support sleeve	2	2
17	DI640	Pressure switch	1	1
18	54030	Olive	1	1
19	2997	Nut	1	1
20	2585	Ball valve 1/2"	1	1
21	2789	Angle connector	1	1
22	54306	Teflon hose assembly 2.2m	1	1
23	DI103	Safety valve [1,5bar]	1	1
24	55035	Safety valve down pipe	1	1
25	2592	Terminal connection AL 2.12 for heating elements [1 set]	1	1
27	DI905	Solenoid valve connector with filter/LED	1*	1*

* Depending on kettle options

5.4 Kettle Rear [300 - 475L]



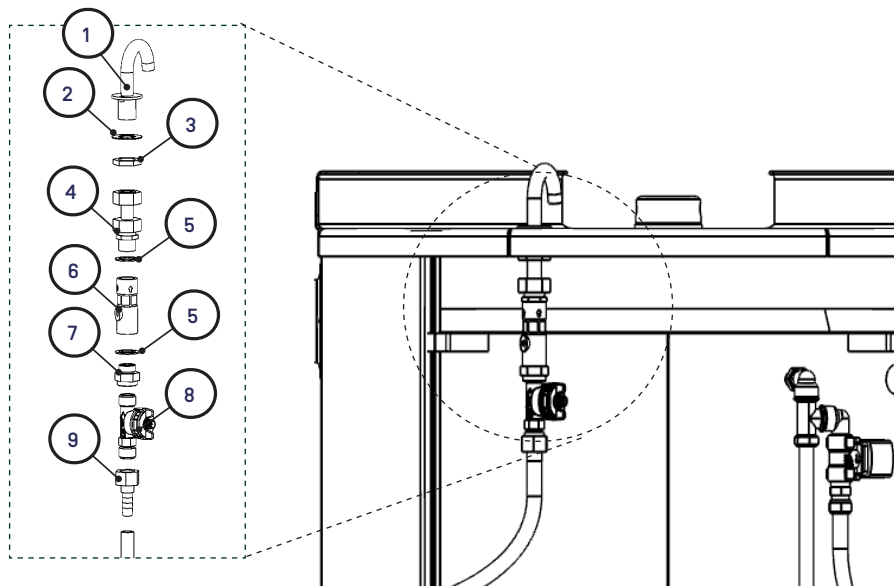
POS.	Prt.Nr	DESCRIPTION	300	400	475
1	55124	Heating element gasket	4	4	4
2	DI1076	Heating element 12kW	2	2	2
2	DI1077	Heating element 15kW	2	2	2
3	DI642	Float switch	2*	2*	2*
4	DI1013	P1 Jacket temperature sensor	1	1	1
5	DI052	Solenoid valve	3	3	3
6	DI064	Steam trap	1	1	1
7	2787	Angle connector	3	3	3
8	3095	T-Connector 1/2"	2	2	2
9	2996	Straight pipe connector 1/2"	3	3	3
10	2789	Angle connector	3	3	3
11	#na	pipe 15 [15x1,5-60]	1	1	1

* Depending on kettle options

POS.	Prt.Nr	DESCRIPTION	300	400	475
12	#na	Pipe 15 (15x1,5-320)	1	1	1
13	54306	Teflon hose assembly 2,2m	9*	9*	9*
14	2535	Teflon hose (850)	1	1	1
14	2583	Support sleeve	2	2	2
15	2535	Teflon hose (1100)	1	1	1
15	2583	Support sleeve	2	2	2
16	DI086	Emptying pump	1	1	1
17	2525	Ball valve 1/2"	1	1	1
18	54030	Olive	1	1	1
19	2997	Nut	1	1	1
20	DI640	Pressure switch	1	1	1
21	DI103	Safety valve (1,5bar)	1	1	1
22	55035	Safety valve down pipe	1	1	1
23	2785	Angle connector	3	3	3
24	2592	Terminal connection AL 2.12 for heating elements (1 set)	1	1	1
25	DI905	Solenoid valve connector with filter/LED	3*	3*	3*

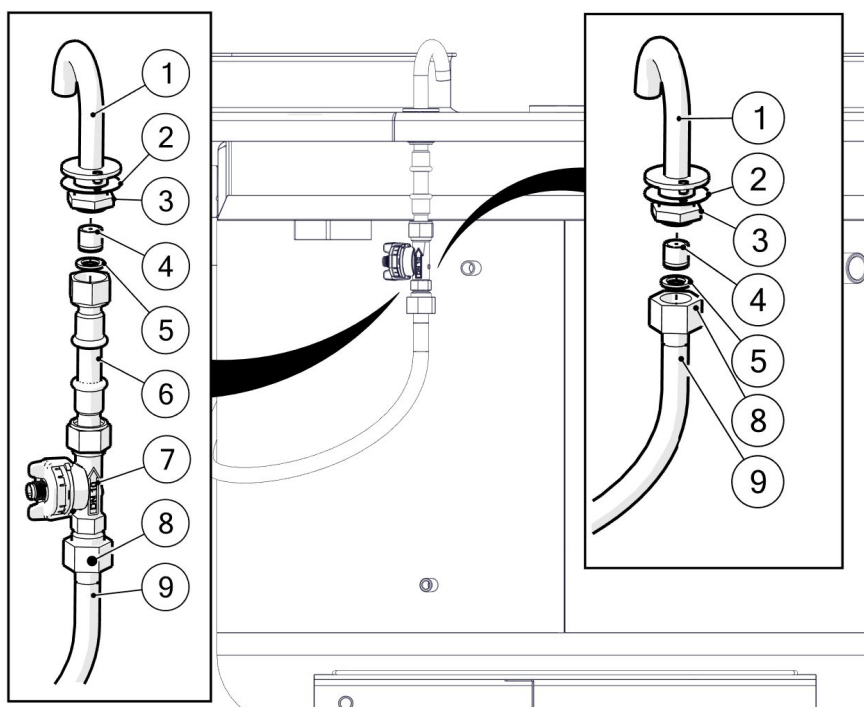
* Depending on kettle options

5.5 Food Water Nozzle before 2024



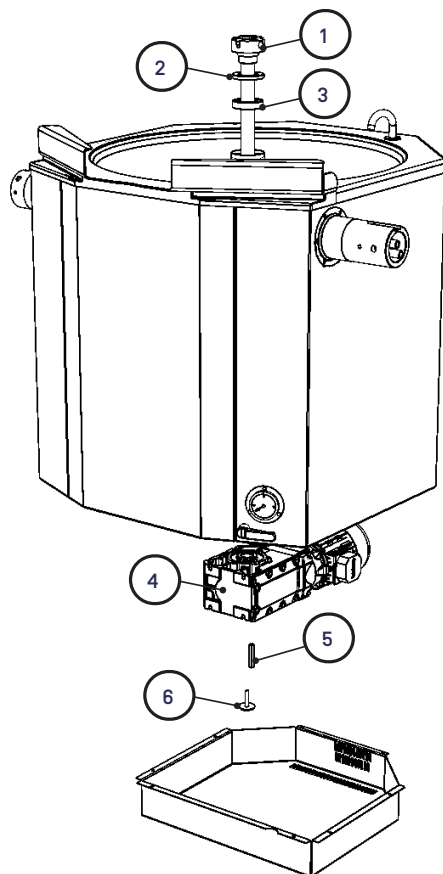
POS.	Prt.Nr	DESCRIPTION	40	60	80	100	150	200	300	400	475
1	54856	Water nozzle	1	1	1	1	1	1	1	1	1
2	55125	Water nozzle gasket	1	1	1	1	1	1	1	1	1
3	55166	Securing nut for water nozzle (M22)	1	1	1	1	1	1	1	1	1
4	54911	Connection tube assembly	1	1	1	1	1	1	1	1	1
5	55151	Gasket for one-way valve	2	2	2	2	2	2	2	2	2
6	55002	One-way valve	1	1	1	1	1	1	1	1	1
7	55016	Connection nipple 1/2"	1	1	1	1	1	1	1	1	1
8	DI1051	Water meter	1	1	1	1	1	1	1	1	1
9	55018	Hose connection	1	1	1	1	1	1	1	1	1
10	DI1052	Water meter connection cable	1	1	1	1	1	1	1	1	1

5.6 Food Water Nozzle 2024 ->



POS.	Prt.Nr	DESCRIPTION	40	60	80	100	150	200	300	400	475
1	55574	Water nozzle	1	1	1	1	1	1	1	1	1
2	55125	Gasket for nozzle	1	1	1	1	1	1	1	1	1
3	55363	Securing nut for nozzle	1	1	1	1	1	1	1	1	1
4	55582	One-way valve	1	1	1	1	1	1	1	1	1
5	49895	Fiber gasket 1/2"	1	1	1	1	1	1	1	1	1
6	#na	Pipe	1	1	1	1	1	1	1	1	1
7	DI1051	Water meter	1	1	1	1	1	1	1	1	1
8	55018	Hose connection	1	1	1	1	1	1	1	1	1
9	54557	Hose for food water	1	1	1	1	1	1	1	1	1
10	DI1052	Water meter connection cable	1	1	1	1	1	1	1	1	1

5.7 Mixer parts

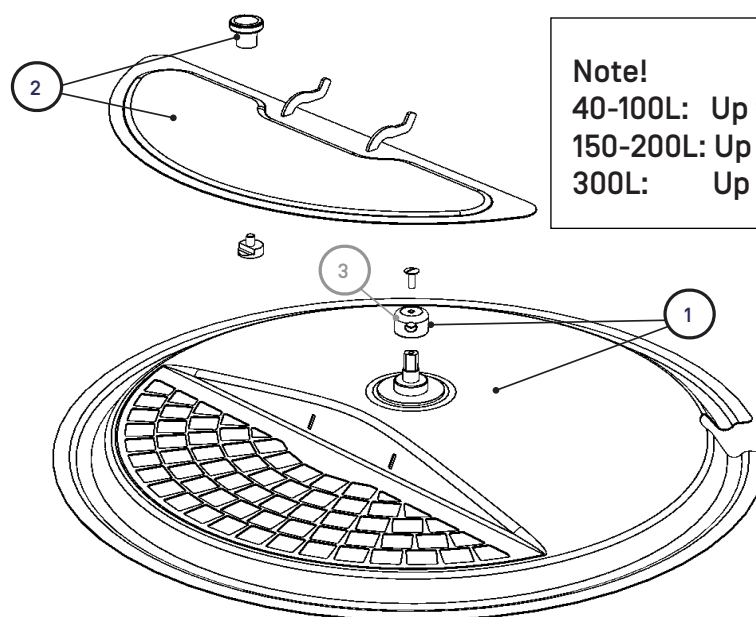


POS.	Prt.Nr	DESCRIPTION	40	60	80	100	150	200	300	400	475
1	49890 54570	Mixer shaft 40L	1								
1	49890 54571	Mixer shaft 60L		1							
1	49890 54572	Mixer shaft 80L			1						
1	49890 54573	Mixer shaft 100L				1					
1	49841 54574	Mixer shaft 150L					1				
1	49841 54575	Mixer shaft 200L						1			
1	49841 54899	Mixer shaft 300L							1		
1	49841 55205	Mixer shaft 400L								1	
1	49841 55206	Mixer shaft 475L									1

POS.	Prt.Nr	DESCRIPTION	40	60	80	100	150	200	300	400	475
2	54645	Mixer shaft gasket (45x72x8)	1	1	1	1					
2	54646	Mixer shaft Gasket (30x50x8)					1	1	1	1	1
3	44208	Mixer shaft bearing	1	1	1	1					
3	49425	Mixer shaft bearing					1	1	1	1	1
4	DI978	Mixer motor 0,75kW	1	1	1	1					
4	DI979	Mixer motor 1,5kW					1	1			
4	DI980	Mixer motor 2,2kW							1		
4	DI1074	Mixer motor 2,2KW BOOSTED					1	1			
4	DI983	Mixer motor 3,0kW							1	1	1
5	52204	Shaft key 6x6x60	1	1	1	1					
5	52205	Shaft key 8x8x60					1	1			
5	52206	Shaft key 8x12x80							1	1	1
From serial number 20240111 ->											
5	55567	RST Shaft key 6x6x80	1	1	1	1					
5	55568	RST Shaft key 8x7x60					1	1			
5	55569	RST Shaft key 12x8x80							1	1	1

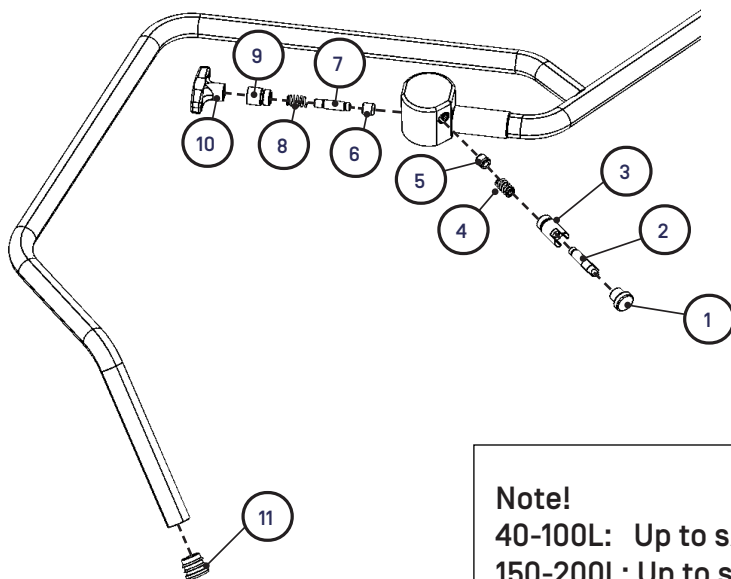
6. Lid Parts

6.1 Lid up to 2022



POS.	Prt.Nr	DESCRIPTION	40	60	80	100	150	200	300	400	475
1	55547	Lid 40-100L <u>Up to s/n: 20220705</u>	1	1	1	1					
1	55548	Lid 150-200L <u>Up to s/n: 20220915</u>					1	1			
1	55549	Lid 300L <u>Up to s/n: 20221011</u>							1	1	1
2	55056	Spice lid for 55547	1	1	1	1					
2	55057	Spice lid for 55548					1	1			
2	55058	Spice lid for 55549							1	1	1
3	#req	Lid connection hub	1	1	1	1	1	1	1	1	1

6.2 Lid bar up to 2022



Note!

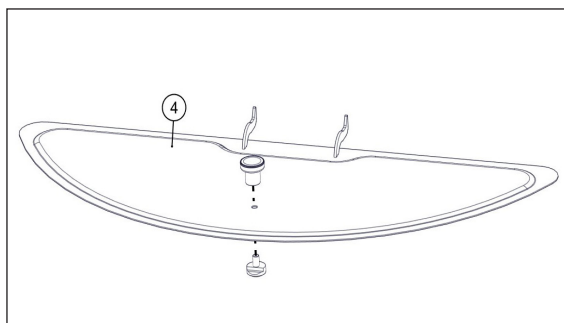
40-100L: Up to s/n 20220705

150-200L: Up to s/n 20220915

300L: Up to s/n 20221011

POS.	Prt.Nr	DESCRIPTION	40	60	80	100	150	200	300	400	475
1	54982	Wash position release knob	1	1	1	1	1	1	1	1	1
2	54884	Locking spindle for washing position lock	1	1	1	1	1	1	1	1	1
3	54976	Spring housing for washing position lock	1	1	1	1	1	1	1	1	1
4	55337	Spring for washing position lock	1	1	1	1	1	1	1	1	1
5	54975	End tip for washing position lock	1	1	1	1	1	1	1	1	1
6	54935	End tip for lid release lock	1	1	1	1	1	1	1	1	1
7	54974	Locking spindle for lid release	1	1	1	1	1	1	1	1	1
8	54981	Spring for lid release lock	1	1	1	1	1	1	1	1	1
9	54934	Spring housing for lid release lock	1	1	1	1	1	1	1	1	1
10	44260	T-Handle	1	1	1	1	1	1	1	1	1
11	54558	End-plug	1	1	1	1	1	1	1	1	1

6.3 Lid from 2022->

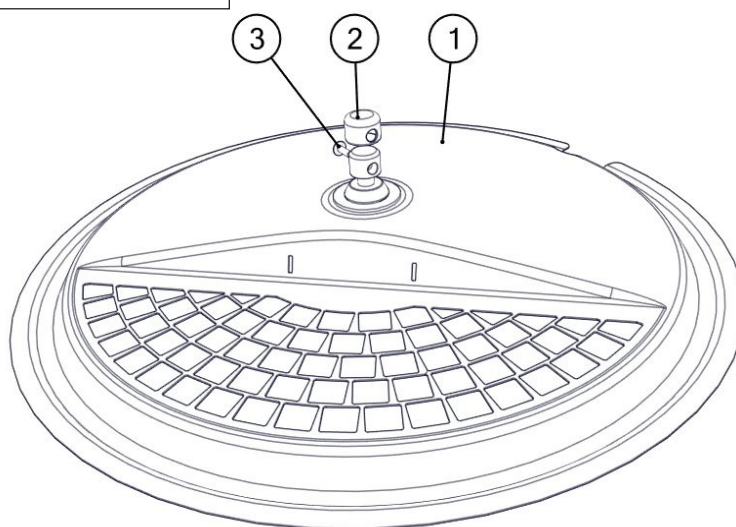


Note!

40-100L: From s/n 20220706

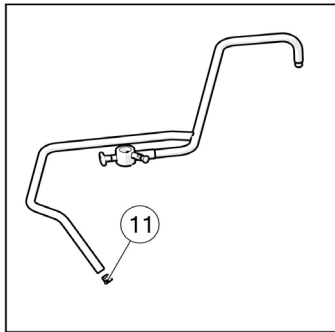
150-200L: From s/n 20220916

300L: From s/n 20221012



POS.	Prt.Nr	DESCRIPTION	40	60	80	100	150	200	300	400	475
1	54937	Lid 40-100L From s/n:20220706	1	1	1	1					
1	54939	Lid 150-200L From s/n: 20220916					1	1			
1	54897	Lid 300-475L From s/n: 20221012							1	1	1
2	55412	Lid connection hub	1	1	1	1	1	1	1	1	1
3	#na	Holder screw M6x20	1	1	1	1	1	1	1	1	1
4	55056	Spice lid for 54937	1	1	1	1					
4	55057	Spice lid for 54939					1	1			
4	55058	Spice lid for 54897							1	1	1

6.4 Lid bar from 2022 ->

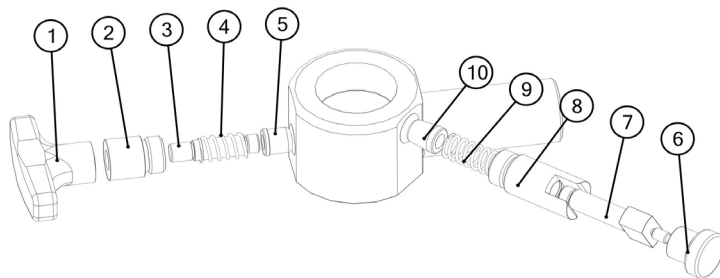


Note!

40-100L: From s/n 20220706

150-200L: From s/n 20220916

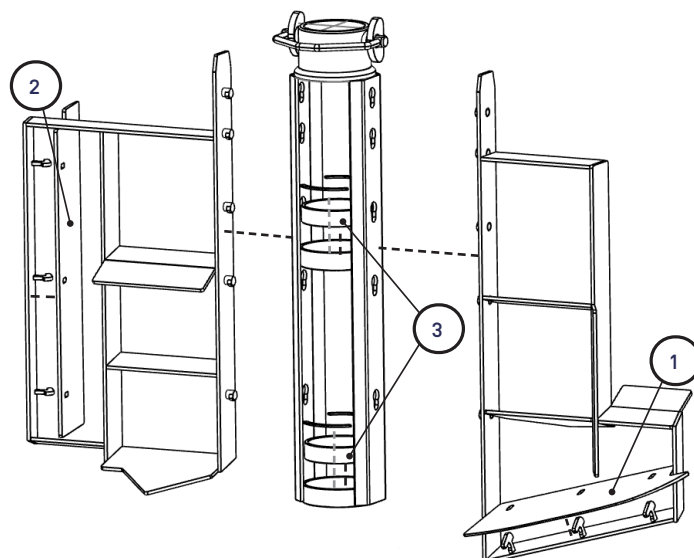
300L: From s/n 20221012



POS.	Prt.Nr	DESCRIPTION	40	60	80	100	150	200	300	400	475
1	44260	T-Handle	1	1	1	1	1	1	1	1	1
2	54934	Spring housing for lid release lock	1	1	1	1	1	1	1	1	1
3	54974	Locking spindle for lid release	1	1	1	1	1	1	1	1	1
4	54981	Spring for lid release lock	1	1	1	1	1	1	1	1	1
5	54935	End tip for lid release lock	1	1	1	1	1	1	1	1	1
6	54982	Wash position release knob	1	1	1	1	1	1	1	1	1
7	54884	Locking spindle for washing position lock	1	1	1	1	1	1	1	1	1
8	54976	Spring housing for washing position lock	1	1	1	1	1	1	1	1	1
9	55337	Spring for washing position lock	1	1	1	1	1	1	1	1	1
10	54975	End tip for washing position lock	1	1	1	1	1	1	1	1	1
11	54558	End-plug	1	1	1	1	1	1	1	1	1

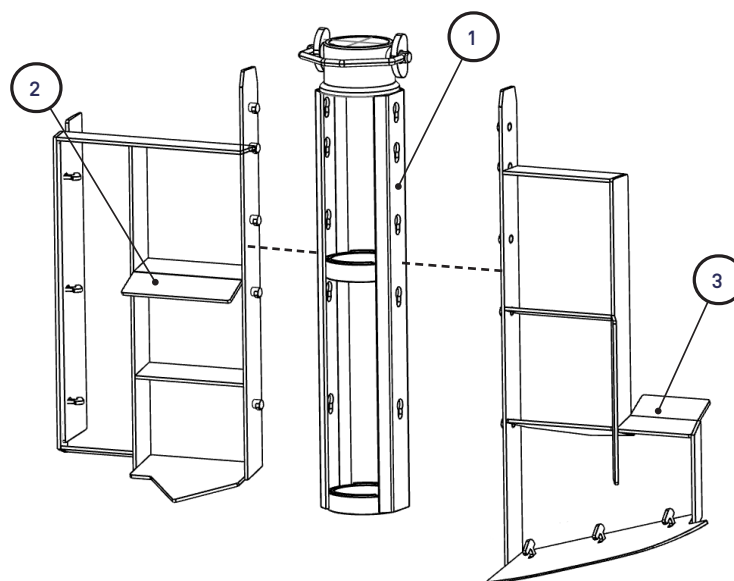
7. Accessories

7.1 Mixer tool - Scrapers & Bushings



POS.	Prt.Nr	DESCRIPTION	40	60	80	100	150	200	300	400	475
1	55093	Lower scraper 40-100L	1	1	1	1					
1	55094	Lower scraper 100-200L					1	1			
1	55095	Lower scraper 300-475L							1	1	1
2	55096	Side scraper 40L	1								
2	55097	Side scraper 60L		1							
2	55098	Side scraper 80L			1						
2	55099	Side scraper 100L				1					
2	55424	Side scraper 150L					1				
2	55102	Side scraper 200L						1			
2	55103	Side scraper 300L							1		
2	55101	Side scraper 400L-475								1	1
2	55104	Side scraper 400L								1	
2	55105	Side scraper 475L									1
3	44231	Tool bushing (bearing)	1	1	1	1					
3	54405	Tool bushing (bearing)					1	2	2	3	3

7.2 Mixer tool

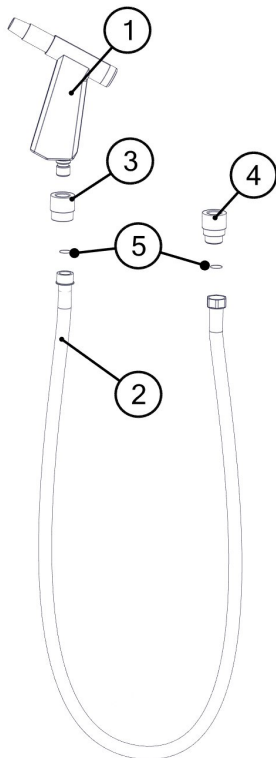


Note! The scrapers needs to be ordered separately. Please see "7.1 Mixer tool - Scrapers & Bushings" on page 52.

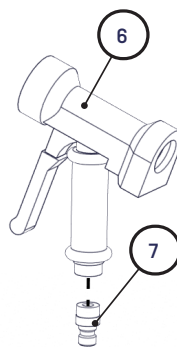
POS.	Prt.Nr	DESCRIPTION	40	60	80	100	150	200	300	400	475
1	56251	Mixer tool center part (inc bushings)	1	1							
1	56253	Mixer tool center part (inc bushings)			1	1					
1	56254	Mixer tool center part (inc bushings)					1				
1	56256	Mixer tool center part (inc bushings)						1	1		
1	56257	Mixer tool center part (inc bushings)								1	1
2	55083	Side scraper attachment 40L	1								
2	55084	Side scraper attachment 60L		1							
2	55085	Side scraper attachment 80L			1						
2	55086	Side scraper attachment 100L				1					
2	55088	Side scraper attachment 150L					1				
2	55089	Side scraper attachment 200L						1			
2	55090	Side scraper attachment 300L							1		
2	55091	Side scraper attachment 400L								1	
2	55092	Side scraper attachment 475L									1

POS.	Prt.Nr	DESCRIPTION	40	60	80	100	150	200	300	400	475
3	55073	Lower scraper attachment 40L	1								
3	55074	Lower scraper attachment 60L		1							
3	55075	Lower scraper attachment 80L			1						
3	55076	Lower scraper attachment 100L				1					
3	55078	Lower scraper attachment 150L					1				
3	55079	Lower scraper attachment 200L						1			
3	55080	Lower scraper attachment 300L							1		
3	55081	Lower scraper attachment 400L								1	
3	55082	Lower scraper attachment 475L									1

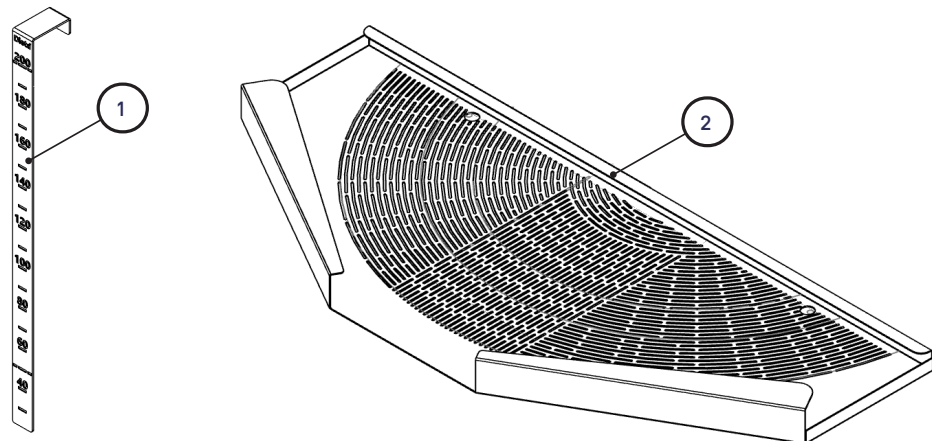
7.3 Spray gun + hose



POS.	Prt.Nr	DESCRIPTION	QTY
1	17197	Spray gun	1
2	19139	Hose 1,5m	1
3	46825	Quick coupler female 1/2"	1
4	17199	Quick coupler female 1/2"	1
5	44549	Gasket	2
6	55754	Heavy duty spray gun	1
7	55755	Quick coupler male 1/2"	1

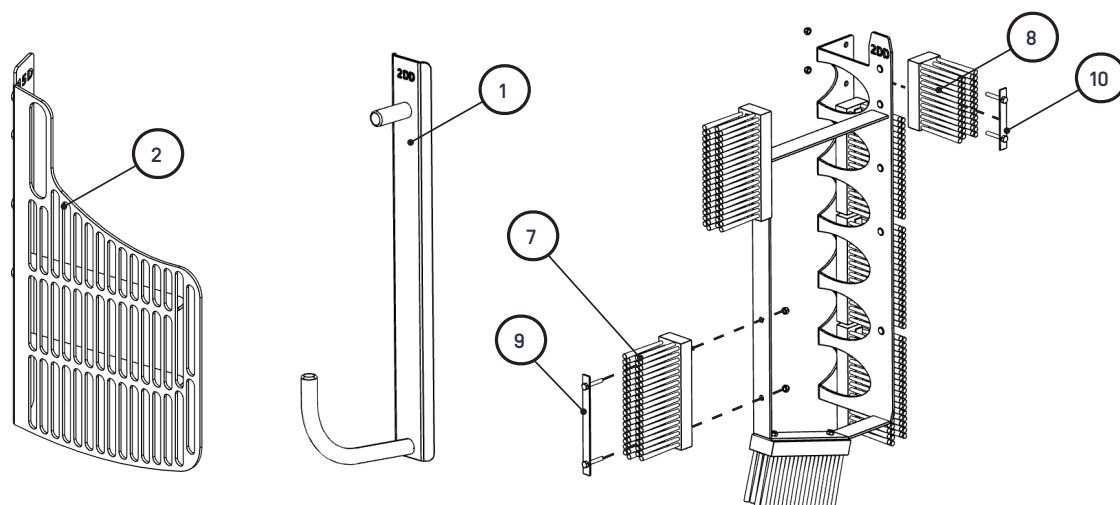


7.4 Measuring sticks & strainer plates



POS.	Prt.Nr	DESCRIPTION	40	60	80	100	150	200	300	400	475
1	44545	Measuring stick 40L	1								
1	44546	Measuring stick 60L		1							
1	44547	Measuring stick 80L			1						
1	44558	Measuring stick 100L				1					
1	44549	Measuring stick 150L					1				
1	44550	Measuring stick 200L						1			
1	44551	Measuring stick 300L							1		
1	46411	Measuring stick 400L								1	
1	46412	Measuring stick 475L									1
2	52322	Strainer plate 40-100	1	1	1	1					
2	52323	Strainer plate 150-200					1	1			
2	52324	Strainer plate 300-475							1	1	1

7.5 Mixing tools (Accessories)

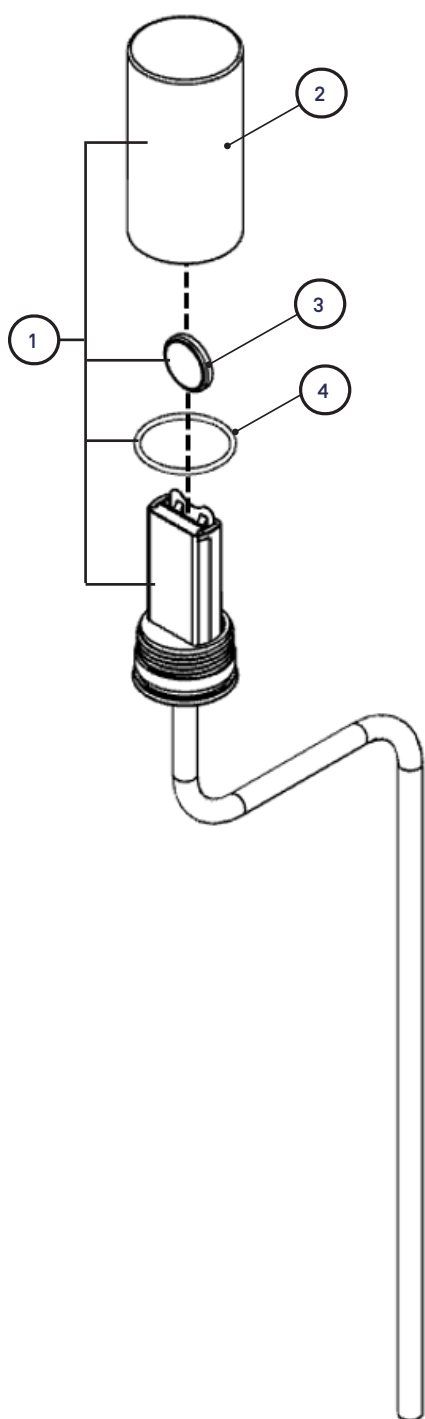


POS.	Prt.Nr	DESCRIPTION	40	60	80	100	150	200	300	400	475
1	51011	Mixing hook attachment	1								
1	51167	Mixing hook attachment		1							
1	51168	Mixing hook attachment			1						
1	51263	Mixing hook attachment				1					
1	51166	Mixing hook attachment					1				
1	51164	Mixing hook attachment						1			
1	54103	Mixing hook attachment							1		
1	54240	Mixing hook attachment								1	
1	54475	Mixing hook attachment									1
2	43821	Whipping tool attachment	1								
2	43822	Whipping tool attachment		1							
2	43823	Whipping tool attachment			1						
2	43924	Whipping tool attachment				1					
2	43825	Whipping tool attachment					1				
2	43826	Whipping tool attachment						1			
2	43827	Whipping tool attachment							1		
2	52348	Whipping tool attachment								1	
2	48966	Whipping tool attachment									1

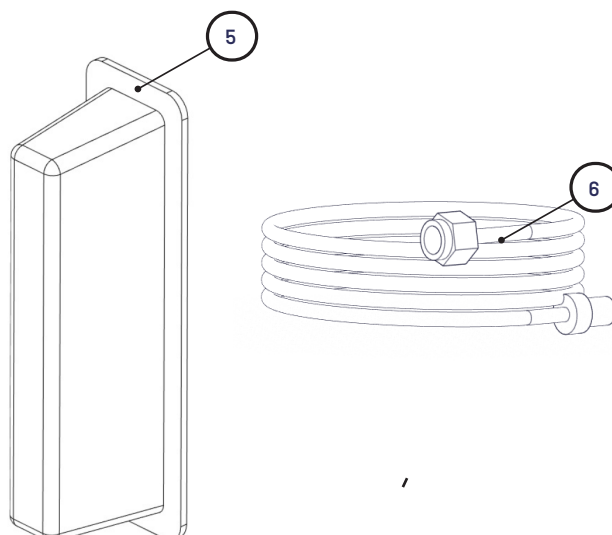
POS.	Prt.Nr	DESCRIPTION	40	60	80	100	150	200	300	400	475
3	45912	Folding tool attachment					1				
3	45912	Folding tool attachment						1			
3	45913	Folding tool attachment							1		
3	45914	Folding tool attachment								1	
3	45915	Folding tool attachment									1
4	54506	Wash tool attachment (Lower)	1								
4	54507	Wash tool attachment (Lower)		1							
4	54508	Wash tool attachment (Lower)			1						
4	54510	Wash tool attachment (Lower)				1					
4	54511	Wash tool attachment (Lower)					1				
4	54512	Wash tool attachment (Lower)						1			
4	54513	Wash tool attachment (Lower)							1		
4	54514	Wash tool attachment (Lower)								1	
4	51515	Wash tool attachment (Lower)									1
5	54516	Wash tool attachment (Side)	1								
5	54517	Wash tool attachment (Side)		1							
5	54518	Wash tool attachment (Side)			1						
5	54520	Wash tool attachment (Side)				1					
5	54521	Wash tool attachment (Side)					1				
5	54522	Wash tool attachment (Side)						1			
5	54523	Wash tool attachment (Side)							1		
5	54524	Wash tool attachment (Side)								1	
5	54525	Wash tool attachment (Side)									1
6	54496	Wash tool side attachmnet with center brush	1								
6	54497	Wash tool side attachmnet with center brush		1							
6	54498	Wash tool side attachmnet with center brush			1						
6	54500	Wash tool side attachmnet with center brush				1					

POS.	Prt.Nr	DESCRIPTION	40	60	80	100	150	200	300	400	475
6	54501	Wash tool side attachmnet with center brush					1				
6	54502	Wash tool side attachmnet with center brush						1			
6	54503	Wash tool side attachmnet with center brush							1		
6	54504	Wash tool side attachmnet with center brush								1	
6	54505	Wash tool side attachmnet with center brush									1
7	DI082	Brush 150 mm (for standard cleaning tool)	3	4	4	5	5	6	6	7	7
8	55258	Brush fastening 150 mm	3	4	4	5	5	6	6	7	7
If equipped with center axis cleaning tool											
7	DI082	Brush 150 mm	4	6	6	8	7	9	7	10	13
8	DI1084	Bursh 95 mm	1		1		1	1	4	2	
9	55258	Brush fastening 150 mm	4	6	6	8	7	9	7	10	13
10	55259	Brush fastening 95 mm	1		1		1	1	4	2	

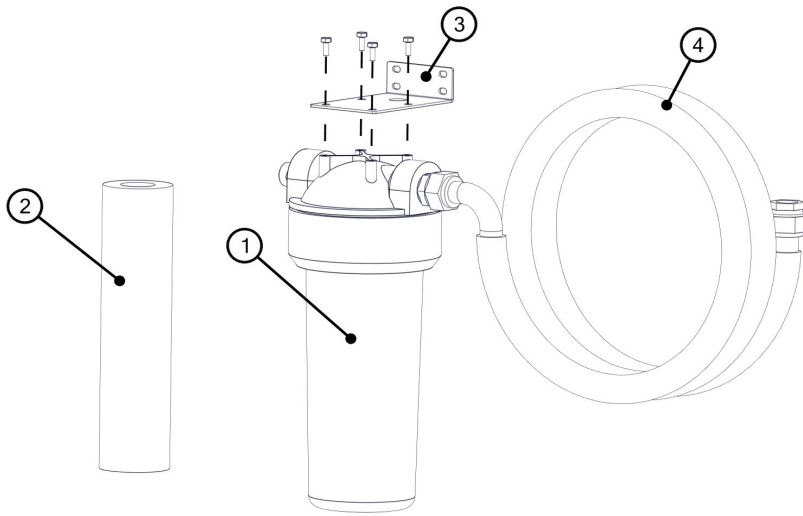
7.6 360°Sense [Wireless temperature probe]



POS.	Prt.Nr	DESCRIPTION	QTY
1	DI1097	360°Sense probe complete	1
2	DI1102	Sensor cover	1
3	DI1100	Battery CR2032W	1
4	DI1101	O-Ring	1
5	DI1098	Antenna cover	1
6	DI1099	Antenna cable	1

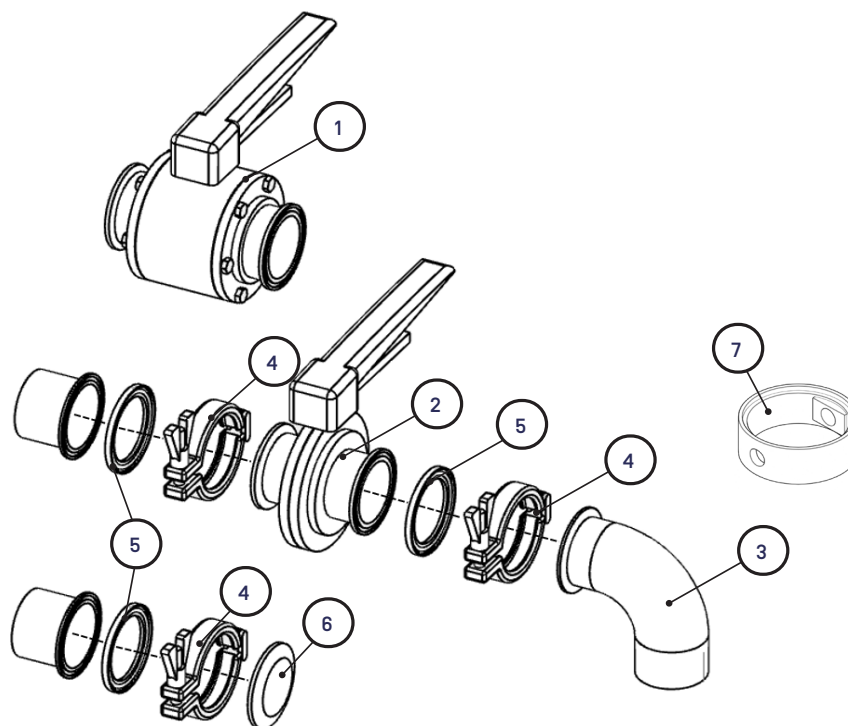


7.7 External Water filter

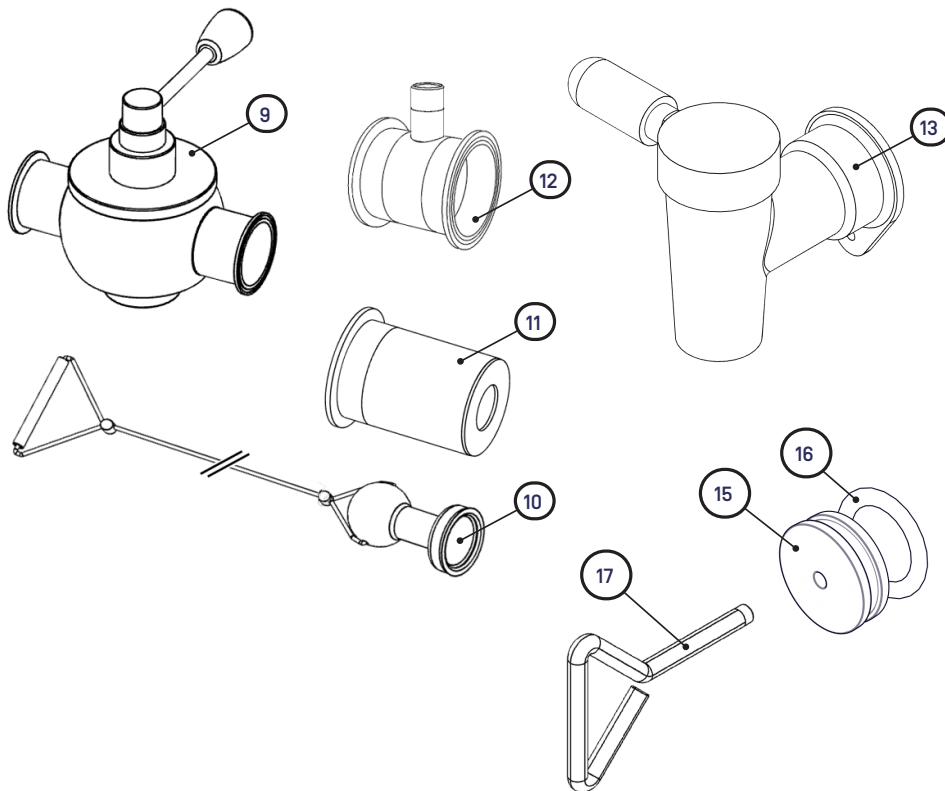


POS.	Prt.Nr	DESCRIPTION	QTY
1	54665	Filter base , <u>COLD</u> water (blue)	1
1	54628	Filter base, <u>HOT</u> water (RED)	1
2	10292	Filter element <u>COLD</u> water	1
2	54627	Filter element <u>HOT</u> water	1
3	54666	Mountin bracket	1
4	54303	Hose for external filter	1

7.8 Emptying valves [Food tap]

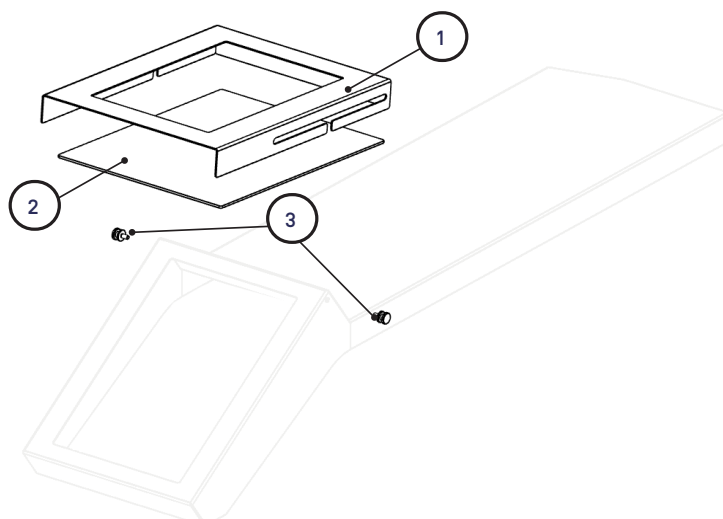


POS.	Prt.Nr	DESCRIPTION	QTY
1	55490	Ball valve 2"	1
1	55498	Ball valve 2,5"	1
2	55186	Butterfly valve 2"	1
2	55499	Butterfly valve 2,5"	1
3	#req	Outlet pipe 2" 90°	1
3	#req	Outlet pipe 2,5" 90°	1
4	55190	Clamp 2"	1
4	55115	Clamp 2,5"	1
5	55191	Gasket for 2"	1
5	55117	Gasket for 2,5"	1
6	55189	Blind flange 2"	1
6	55118	Blind flange 2,5"	1
7	54569	Gasket for 55186 [butterfly 2"]	1



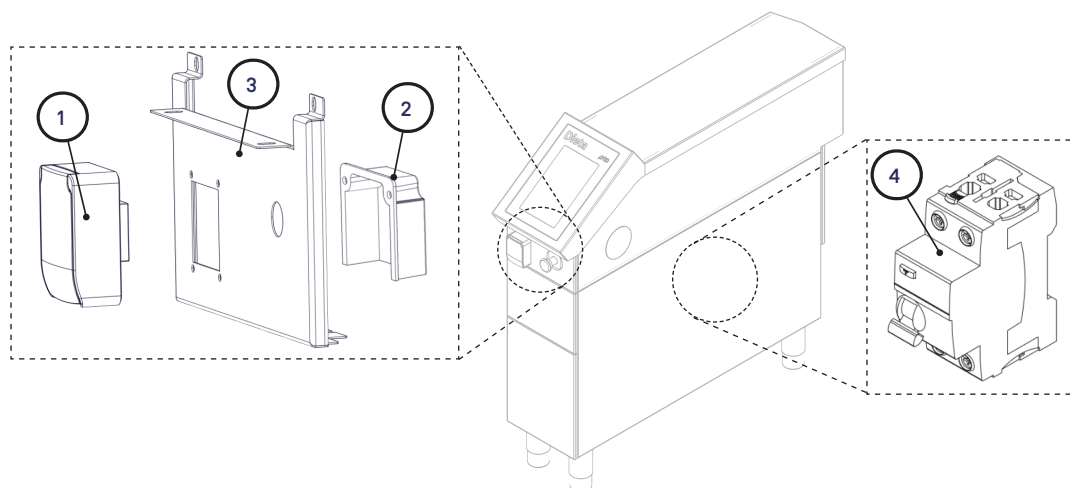
POS.	Prt.Nr	DESCRIPTION	QTY
9	55226	Arc valve for bottom emptying (2,5")	1
10	55225	Silicone plug emptying (800mm pulling wire)	1
11	55223	End stopper for silicone plug 55225	1
12	55224	Intermediatet part for seed and clean	1
13	54554	Echtermann draw-off valve	1
14	DI1037	Maintenance kit for Echtermann (54554)	1
15	55514	Plug for emptying pipe (Echtermann/60,3)	1
16	55510	Gasket for plug 55514	1
15	55516	Plug for emptying pipe 2" (51)	1
16	55512	Gasket for plug 55516	1
15	55515	Plug for emptying pipe 2,5" (63,5)	1
16	55511	Gasket for plug 55515	1
17	55517	Tool for emptying plugs	1

7.9 Screen protector



POS.	Prt.Nr	DESCRIPTION	QTY
1	55485	Screen cover frame	1
2	55486	Screen cover	1
3	55503	Glide pin	2

7.10 Front panel socket 230V



POS.	Prt.Nr	DESCRIPTION	QTY
1	DI1093	230VAC IP65 Socket	1
2	55544	230VAC Socket rear cover	1
3	55427	Front panel for 230V socket	1
3	55426	Front panel for 230V socket and USB	1
4	DI1094	RCCB for front socket (230V/25A/30mA-type A)	1

